

冠正 缔造完美品质...
Guanzheng Create Pperfect Quality...

闸阀系列 >> GATE VALVE SERIES



E-mail: valveg@163.com
<http://www.valve-gz.com>



产品集锦 PRODUCT INTEGRATION



PN1.0、1.6、2.5MPa
Class150 JIS10K
闸阀 gate valve



PN4.0、6.4MPa
Class300 JIS20K
闸阀 gate valve



PN10.0MPa Class600
闸阀 gate valve



吹2高温闸阀
Spray-2 high temperature
gate valve



正齿轮传动闸阀
Spur gear driven gate valve



伞齿轮传动闸阀
Bevel gear driven gate valve



气动闸阀
Pneumatic actuated gate valve



电动闸阀
Electric actuated gate valve



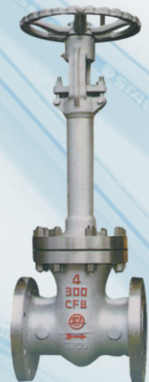
对焊闸阀
Butt weld gate valve



自密封式闸阀
Pressure seat gate valve



夹套闸阀
Jacket gate valve



低温闸阀
Low-temperature gate valve



国内标准闸阀 National standard gate valve

选用指南 Selection guide

用户应根据本样本所列的产品型号进行选型订货。Users shall select needed models to order based on this catalogue.

如对以下各项另有要求或变更，都应在订货合同中加以说明。

1. 阀门规格（毫米mm表示）
2. 公称压力（用MPa单位的10倍值表示）
3. 法兰连接尺寸及其密封面形式
4. 焊接端及其孔径；
5. 阀门结构长度
6. 需要齿轮传动（包括传动方式及布置方式等）
7. 需要链轮传动（传动方位及其链条长度等）
8. 需要旁通（包括旁通阀门的类型、规格、公称压力以及连接方式等）
9. 需要电动装置驱动（包括电动装置的型号、特性及其制造厂商和是否带手动等）；
10. 夹套阀门（包括夹套内介质的性质及其连接方式等）
11. 填料和垫片的要求
12. 阀门主要材料
13. 密封副材料的匹配
14. 其它

If any of the following needs to be changed, it should be specified in the contract.

1. Valve specifications (in mm)
2. Nominal pressure (It is expressed with a value of ten times of real pressure in MPa)
3. Flange connection dimensions and sealing face type
4. Welding end and bore
5. Valve face-to-face length
6. Gear actuation required (including actuation type and arrangement mode, etc.)
7. Chain wheel required (driving positions and chain length, etc.)
8. Side valves required (including type, specification, nominal pressure, connection mode, etc. of the side valves)
9. Electric actuator required (including type, characteristics, manufacturer of the electric actuator with handwheel or not)
10. Jacket valve (medium properties inside the jacket and connection mode, etc)
11. Washer and packing requirements
12. Main materials of valve
13. Material match of seal faces
14. Others.

闸阀型号编制方法及说明

Model coding system and illustration of gate valve

	1	2	3	4	5	6	7	8
冠正阀门企业标志 Corporation logo of GUANZHENG	特殊结构代号 Code of special structure	闸阀代号 Code of gate valve	传动方式代号 Code of actuation type	连接形式代号 Code of connection type	结构形式代号 Code of structure type	密封面材料代号 Code of sealing face material	公称压力值 Code of nominal pressure	阀体材料代号 Code of body material
	D-低温闸阀 Low temperature valve K-抗硫闸阀 Anti-sulfuric valve B-保温闸阀 Heat-preserving valve 吹1-一个吹扫孔 Spray-1 One spray hole 吹2-两个吹扫孔 Spray-2 Two spray holes	Z-闸阀 Gate valve	手动省略 Code omitted for manual operation 4-正齿轮传动 Spur gear driven 5-伞齿轮传动 Bevel gear driven 6 _s -气动带手动 Pneumatic-manual driven 9-电动 Electric actuator 9 _a -防爆电动 Anti-explosive electric actuator	1-内螺纹 Female screw 2-外螺纹 Male screw 4-凸面法兰 Raised face flange 4 _j -密封环法兰连接 Sealing ring flange 4 _m -凹凸面法兰连接 Male-female flange connection 4 _c -榫槽面法兰连接 Tongue and groove flange 6-焊接连接 Weld connection 6 _c -承插焊连接 Socket welded 6 _d -对焊连接 Butt weld	0-楔式弹性闸板 Wedge-shaped stretchy disc 1-楔式单闸板 Wedge-shaped single disc 2-楔式双闸板 Wedge-shaped double disc	H-Cr13系不锈钢 Cr13 stainless steel Y-STL硬质合金 STL hard alloy W-本体材料 Body material M-蒙乃尔合金 Monel alloy H·C-哈氏合金 Haynes alloy	用MPa单位的10倍值表示 It is expressed with a value of ten times of real pressure in MPa.	C-碳素钢 Carbon steel P-1Cr18Ni9Ti (P I, P II-铬钼钛耐热钢 Cr.Mo.Ti. high temperature steel P III-高镍铬钢High Ni-Cr steel) R-1Cr18Ni12Mo2Ti P8-CF8(304) P3-CF3(304L) R8-CF8M(316) R3-CF3M(316L) I-1Cr5Mo L-LCB C6-WC6 C9-WC9 S-抗硫材料 Anti-sulfuric materials

注：1 如法兰密封面采用凸面以外的型式，则将型号中连接形式代号“4”改为“4_j”（环连接面），“4_m”（凹凸面）或“4_c”（榫槽面）。例如：Z4M0H-40。

2 用户对焊接端有要求时，请在型号中注明，其中“6_c”—承插焊连接，“6_d”—对焊连接。

Notes: 1 If flange sealing face adopts other forms instead of raised face, the connection type code "4" should be replaced with "4_j"(ring connection face) "4_m"(male & female face). or "4_c"(tongue & groove face), for example: Z4M0H-40.

2 If user has special requirements to welding end, specifications should be indicated in the model. "6_c" stands for socket weld connection, "6_d" stands for butt weld connection.



性能规范 Property specifications

阀体材料 Body material	碳钢 Carbon steel	不锈钢 Stainless steel		铬钼钢 Cr.Mo.steel	铬钼钛耐热钢 Cr.Mo.Ti.high temperature steel		高镍铬钢 High Ni-Cr steel
		P	R		P _I	P _{II}	
工作温度 Working temperature	≤425°C	≤200°C	≤200°C	≤550°C	≤550°C	≤650°C	≤900°C
适用介质 Suitable media	水、蒸汽、油品 Water, steam, oil goods	硝酸类 Nitric acid	醋酸类 Acetic acid	油品、蒸汽 Oil, steam	石油、石油产品 Petroleum, petroleum products	空气、烟气等 Air, fume etc.	

本样本所列阀门规定的填料和垫片 Packing & gasket for valves of this catalogue

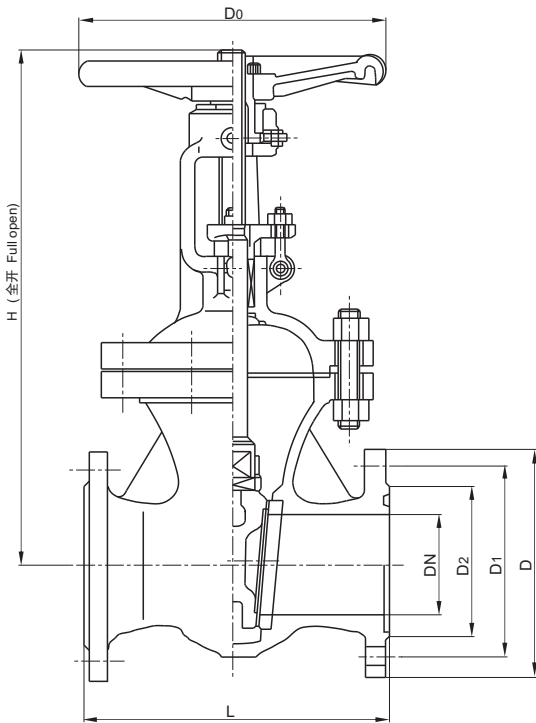
主体材料 Main body material	填料 Packing	垫片 Gasket	
		150Lb或PN1.6MPa	≥300Lb或≥PN2.5MPa
WCB, A105 (内件为Cr13或304) (Trim: Cr13 or 304)	150Lb或PN1.6MPa用油浸石墨石棉绳, ≥300Lb或PN2.5MPa用夹不锈钢丝石墨石棉绳 When pressure class in 150Lb(PN1.6MPa), use oil-immersed graphite asbestos cord, when pressure class is great than or equals 300Lb(PN2.5MPa), use stainless steel thread carried graphite cord.	橡胶石棉板 Rubber asbestos plate	缠绕式304-石棉 Twisted 304-asbestos
WCB, A105 (内件为Monel) (Trim: Monel)	聚四氟乙烯纤维编织 PTFE fiber knitted	缠绕式蒙乃尔合金-聚四氟乙烯 Twisted monel-PTFE	
WC6, F11; WC9, F22	夹蒙乃尔合金丝石墨石棉绳 Monel-thread-carried graphite asbestos cord	橡胶石棉板 Rubber asbestos board	缠绕式: 304-柔性石墨 Twisted 304-soft graphite
CF8, 304; CF8M, 316 CF3, 304L; CF3M, 316L	浸聚四氟乙烯石棉绳 PTFE impregnated asbestos cord	耐蚀橡胶石棉板 Anti-corrosive rubber asbestos board	缠绕式 18-8S, S-聚四氟乙烯 Twisted 18-8S, S-PTFE
MONEL; CN7M	聚四氟乙烯纤维编织 PTFE twisted knitting	缠绕式: 蒙乃尔合金-聚四氟乙烯或平垫片; 聚四氟乙烯 Twisted type: Monel-PTFE or flat gasket; PTFE	

常用材料的抗氧化界限和使用范围 Anti-oxidation ambit & applicative ranges of general materials

材质Material	温度°C Temperature°C				
	400	500	600	700	800
碳素钢Carbon steel	[Progressive shaded area from 400 to 500°C]				
0.15Mo钢Steel	[Progressive shaded area from 400 to 600°C]				
0.5Mo钢Steel	[Progressive shaded area from 400 to 650°C]				
0.5Cr · 0.5Mo钢Steel	[Progressive shaded area from 400 to 700°C]				
1Cr · 0.3Mo钢Steel	[Progressive shaded area from 400 to 750°C]				
1Cr · 0.5Mo钢Steel	[Progressive shaded area from 400 to 800°C]				
1 1/4Cr · 1/2Mo · 3/4Si钢Steel	[Progressive shaded area from 400 to 850°C]				
2 1/4Cr · 1Mo钢Steel	[Progressive shaded area from 400 to 900°C]				
9Cr · 1Mo钢Steel	[Progressive shaded area from 400 to 950°C]				
18.8不锈钢Stainless steel	[Progressive shaded area from 400 to 1000°C]				



手动楔式闸阀 Manual wedge gate valve



应用规范 Application specifications

- 1、设计、制造按 GB/T 12234-1989 标准
 - 2、主体材料: WCB、Cr5Mo、1Cr18Ni9Ti、1Cr18Ni12Mo2Ti、CF8、CF8M、CF3、CF3M
 - 3、结构长度按 GB/T 12221-1989 标准
 - 4、法兰连接尺寸按 JB/T 79-1994 标准
 - 5、密封副型式有: Cr13/Cr13、STL/STL、Cr13/STL、304/304、18-8/STL、18-8/18-8 等
 - 6、阀门的检验和试验按 JB/T 9092-1999 标准
1. Design and manufacture according to GB/T 12234-1989
 2. Main body material: WCB, Cr5Mo, 1Cr18Ni9Ti, 1Cr18Ni12Mo2Ti, CF8, CF8M, CF3, CF3M
 3. Face-to-face length according to GB/T 12221-1989
 4. Flange connection dimensions according to JB/T 79-1994
 5. Sealing face types includes: Cr13/Cr13, STL/STL, Cr13/STL, 304/304, 18-8/STL, 18-8/18-8
 6. Valve inspection and test according to JB/T 9092-1999

产品型号规格和外形尺寸 Product model、specification & outline dimension

型号 Model	公称压力 Nominal pressure MPa	尺寸 Dimensions(mm)															
		DN	40	50	65	80	100	125	150	200	250	300	350	400	450	500	600
Z4 ⁰ ₁ Y-16C Z4 ⁰ ₁ Y-16 ^P _R Z4 ⁰ ₁ Y-16 I Z4 ⁰ ₁ Y-16 ^{P I} _{P II} (吹1) Z4 ⁰ ₁ Y-16C (吹2) Z4 ⁰ ₁ Y-16 ^{P I} _{P II} (吹1) Z4 ⁰ ₁ Y-16 ^{P I} _{P II} (吹2) Z4 ⁰ ₁ Y-16 ^{P I} _{P II}	1.6	L	240	250	270	280	300	325	350	400	450	500	550	600	650	700	800
		H	352	417	452	530	607	614	850	1060	1225	1415	1630	1780	2050	2181	2599
		Do	240	240	240	280	300	300	350	400	450	500	500	600	720	720	720
		重量 (Kg) Weight	20	22	30	44	47	76	96	160	228	300	388	566	900	958	1410
Z4 ⁰ ₁ Y-25 Z4 ⁰ ₁ Y-25 ^P _R Z4 ⁰ ₁ Y-25 I Z4 ⁰ ₁ Y-25 ^{P I} _{P II} (吹1) Z4 ⁰ ₁ Y-25 ^C _I (吹2) Z4 ⁰ ₁ Y-25 ^C _I (吹1) Z4 ⁰ ₁ Y-25 ^{P I} _{P II} (吹2) Z4 ⁰ ₁ Y-25 ^{P I} _{P II}	2.5	L	240	250	270	280	300	325	350	400	450	500	550	600	650	700	800
		H	352	417	452	567	590	756	880	1041	1260	1415	1630	1780	2050	2181	2599
		Do	240	240	240	280	320	320	400	400	450	500	500	600	720	720	720
		重量 (Kg) Weight	21	23	32	46	67	78	112	218	290	324	423	566	900	958	1410

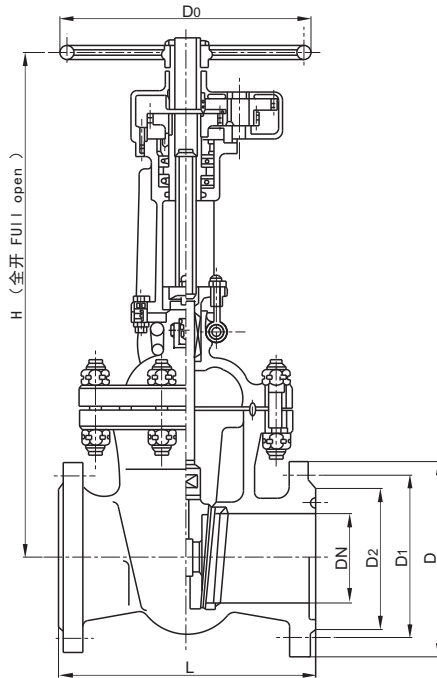


产品型号规格和外形尺寸 Product model, specification & outline dimension

型号 Model	公称压力 Nominal pressure MPa	尺寸 Dimensions(mm)														
		DN	40	50	65	80	100	125	150	200	250	300	350	400	450	500
Z4 ^{0H} _{1Y} -40 Z4 ^{0W} _{1Y} -40 ^P _R Z4 ⁰ _{1Y} -40- Z4 ⁰ _{1Y} -40 ^{P-} _{P≡} (吹1) Z4 ^{0H} _{1Y} -40 ^C ₋ (吹2) (吹1) Z4 ^{0W} _{1Y} -40 ^{P-} _{P≡} (吹2)	4.0	L	240	250	280	310	350	400	450	550	650	750	850	950	1050	1150
		H	369	417	452	567	590	776	885	1065	1250	1531	1700	1770	1820	1880
		Do	240	240	240	280	320	350	400	500	550	640	640	640	680	680
		重量 (Kg) Weight	26	28	35	47	68	115	150	235	374	550	890	1235	1400	1506
Z4 ^{0H} _{1Y} -64 Z4 ^{0H} _{1Y} -64 ^P _R Z4 ⁰ _{1Y} -64-	6.4	L	240	250	280	310	350	400	450	550	650	750	850	950	1050	1150
		H	389	505	545	605	665	780	980	1120	1332	1680	1745	1820	1837	1990
		Do	280	280	280	320	400	400	450	550	550	640	640	680	800	800
		重量 (Kg) Weight	41	44	64	84	119	174	266	388	500	550	898	1234	1530	1834
Z4 ^{0H} _{1Y} -100 Z4 ^{0H} _{1Y} -100 ^P _R Z4 ⁰ _{1Y} -100-	10.0	L	240	250	280	310	350	400	450	550	650	750	850	950	1050	1150
		H	389	505	545	605	665	780	980	1320	1580	1810	1930	2032	2286	2591
		Do	280	280	280	320	400	400	450	550	550	640	800	800	1000	1000
		重量 (Kg) Weight	45	48	65	85	120	175	268	446	535	670	930	1430	1850	2300
Z4 ^{0H} _{1Y} -160 Z4 ^{0H} _{1Y} -160 ^P _R Z4 ⁰ _{1Y} -160-	16.0	L	240	300	340	390	450	525	600	750						
		H	395	612	677	686	751	868	997	1153						
		Do	360	360	360	400	450	550	640	720						
		重量 (Kg) Weight	69	73	110	141	185	320	462	711						



正齿轮传动闸阀 Spur gear driven gate valve



应用规范 Application specifications

- 1、设计、制造按 GB/T 12234-1989标准
 - 2、主体材料: WCB、Cr5Mo、1Cr18Ni9Ti、1Cr18Ni12Mo2Ti、CF8、CF8M、CF3、CF3M
 - 3、结构长度按 GB/T 12221-1989标准
 - 4、法兰连接尺寸按 JB/T 79-1994标准
 - 5、密封副型式有: Cr13/Cr13、STL/STL、Cr13/STL、304/304、18-8/STL、18-8/18-8等
 - 6、阀门的检验和试验按 JB/T 9092-1999标准
1. Design and manufacture according to GB/T 12234-1989
 2. Main body material: WCB, Cr5Mo, 1Cr18Ni9Ti, 1Cr18Ni12Mo2Ti, CF8, CF8M, CF3, CF3M
 3. Face-to-face length according to GB/T 12221-1989
 4. Flange connection dimensions according to JB/T 79-1994
 5. Sealing face types includes: Cr13/Cr13, STL/STL, Cr13/STL, 304/304, 18-8/STL, 18-8/18-8
 6. Valve inspection and test according to JB/T 9092-1999

产品型号规格和外形尺寸 Product model, specification and outline dimension

型号 Model	公称压力 Nominal pressure MPa	尺寸 Dimensions(mm)													
		DN	150	200	250	300	350	400	450	500	600	700	800	900	
Z44 ^{0H} _{1Y} -16C Z44 ^{0W} _{1Y} -16 ^P _R Z44 ^{0I} _{1Y} -16 I Z44 ^{0W} _{1Y} -16 ^{P I} _{P II} Z44 ^{0W} _{1Y} -16 ^{P II} _{P III}	1.6	L	350	400	450	500	550	600	650	700	800	900	1000	1100	
		H	674	818	969	1513	1702	1800	1890	2290	2510	2785	2885	3030	
		Do	360	400	450	450	450	500	500	500	500	550	550	550	550
		重量 (Kg) Weight	134	192	273	600	798	946	1200	1280	2140	3118	3868	4396	4396
Z44 ^{0H} _{1Y} -25 Z44 ^{0W} _{1Y} -25 ^P _R Z44 ^{0I} _{1Y} -25 I Z44 ^{0W} _{1Y} -25 ^{P I} _{P II} Z44 ^{0W} _{1Y} -25 ^{P II} _{P III}	2.5	L	350	400	45	500	550	600	650	700	800	900	1000	1100	
		H	674	818	969	1513	1702	1800	1890	2290	2510	2785	2885	3030	
		Do	360	400	450	450	450	500	500	500	500	550	550	550	550
		重量 (Kg) Weight	134	192	273	600	798	946	1200	1280	2140	3118	3868	4396	4396

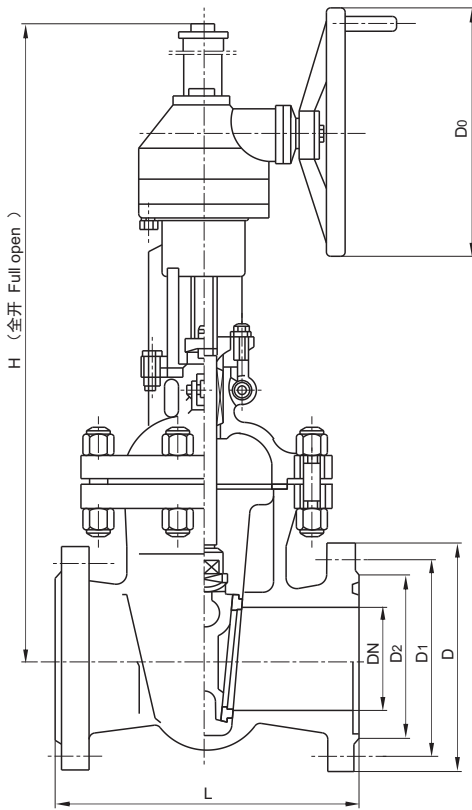


产品型号规格和外形尺寸 Product model, specification & outline dimension

型号 Model	公称压力 Nominal pressure MPa	尺寸 Dimensions(mm)										
		DN	150	200	250	300	350	400	450	500	600	
Z44 ⁰ ₁ Y-40 Z44 ⁰ ₁ Y-40 ^P _R Z44 ⁰ ₁ Y-40 I Z44 ⁰ ₁ Y-40 ^{P I} _{P II} Z44 ⁰ ₁ Y-40 ^{P II} _{P III}	4.0	L	450	550	650	750	850	950	1050	1150	1350	
		H	883	1086	1298	1232	1377	1995	2150	2450	2940	
		Do	400	400	560	500	500	500	500	500	500	500
		重量 (Kg) Weight	155	265	370	630	985	1330	1650	2040	3050	
Z44 ⁰ ₁ Y-64 Z44 ⁰ ₁ Y-64 ^P _R Z44 ⁰ ₁ Y-64 I	6.4	L	450	550	650	750	850	950	1050	1150	1350	
		H	920	1020	1120	1560	1850	2080	2320	2510	2959	
		Do	500	500	500	550	550	550	550	550	550	
		重量 (Kg) Weight	290	320	400	618	945	1818	2165	2507	3352	
Z44 ⁰ ₁ Y-100 Z44 ⁰ ₁ Y-100 ^P _R Z44 ⁰ ₁ Y-100 I	10.0	L	450	550	650	750	850					
		H	920	1160	1490	1574	1700					
		Do	500	500	500	550	550					
		重量 (Kg) Weight	301	471	687	989	1274					



伞齿轮传动闸阀 Bevel gear driven gate valve



应用规范 Application specifications

- 1、设计、制造按GB/T 12234-1989标准
 - 2、主体材料: WCB、Cr5Mo、1Cr18Ni9Ti、1Cr18Ni12Mo2Ti、CF8、CF8M、CF3、CF3M
 - 3、结构长度按 GB/T 12221-1989标准
 - 4、法兰连接尺寸按 JB/T 79-1994标准
 - 5、密封副型式有: Cr13/Cr13、STL/STL、Cr13/STL、304/304、18-8/STL、18-8/18-8等
 - 6、阀门的检验和试验按 JB/T 9092-1999标准
1. Design and manufacture according to GB/T 12234-1989
 2. Main body material: WCB, Cr5Mo, 1Cr18Ni9Ti, 1Cr18Ni12Mo2Ti, CF8, CF8M, CF3, CF3M
 3. Face-to-face length according to GB/T 12221-1989
 4. Flange connection dimensions according to JB/T 79-1994
 5. Sealing face types includes: Cr13/Cr13, STL/STL, Cr13/STL, 304/304, 18-8/STL, 18-8/18-8
 6. Valve inspection and test according to JB/T 9092-1999

产品型号规格和外形尺寸 Product model, specification & outline dimension

型号 Model	公称压力 Nominal pressure MPa	尺寸 Dimensions(mm)									
		DN	300	350	400	450	500	600	700	800	900
Z54 ^{0H} _{1Y} -16C Z54 ^{0H} _{1Y} -16 ^P _R Z54 ^{0Y} _{1Y} -16 I Z54 ^{0W} _{1Y} -16 ^{P I} _{P II} ^{P III}	1.6	L	500	550	600	650	700	800	900	1000	1100
		H	1310	1468	1780	1880	2110	2410	2600	2860	3170
		Do	640	640	640	640	640	640	640	720	720
		重量(Kg) Weight	504	674	950	1300	1530	2140	3275	3920	4435
Z54 ^{0H} _{1Y} -25 Z54 ^{0W} _{1Y} -25 ^P _R Z54 ^{0Y} _{1Y} -25 I Z54 ^{0W} _{1Y} -25 ^{P I} _{P II} ^{P III}	2.5	L	500	550	600	650	700	800	900	1000	1100
		H	1310	1468	1780	1880	2110	2410	2600	2860	3170
		Do	640	640	640	640	640	640	640	720	720
		重量(Kg) Weight	504	674	950	1300	1530	2140	3275	3920	4435

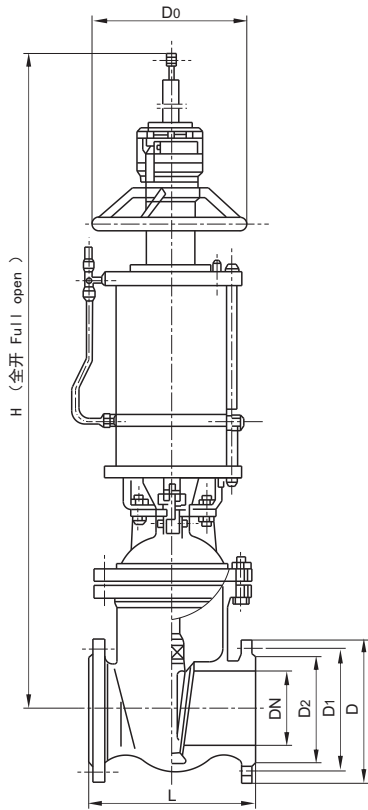


产品型号规格和外形尺寸 Product model, specification and outline dimension

型号 Model	公称压力 Nominal pressure MPa	尺寸 Dimensions(mm)								
		DN	150	200	250	300	350	400	450	500
Z54 ^{0H} _{1Y} -40 Z54 ^{0W} _{1Y} -40 ^{P_R} Z54 ⁰ _{1Y} -40 I Z54 ^{0W} _{1Y} -40 ^{P_I} Z54 ⁰ _{1Y} -40 ^{P_{II}} Z54 ⁰ _{1Y} -40 ^{P_{III}}	4.0	L	750	850	950	1050	1150	1350		
		H	1500	1960	2170	2320	2450	2940		
		Do	640	640	640	640	640	640		
		重量(Kg) Weight	630	985	1430	1720	2040	3050		
Z54 ^{0H} _{1Y} -64 Z54 ^{0W} _{1Y} -64 ^{P_R} Z54 ⁰ _{1Y} -64 I Z54 ⁰ _{1Y} -64 ^{P_I} Z54 ⁰ _{1Y} -64 ^{P_{II}} Z54 ⁰ _{1Y} -64 ^{P_{III}}	6.4	L	450	550	650	750	850	950	1050	1150
		H	1100	1420	1580	1770	2060	2270	2364	2594
		Do	450	550	640	640	640	640	800	800
		重量(Kg) Weight	300	430	530	590	840	1410	2792	3655
Z54 ^{0H} _{1Y} -100 Z54 ^{0W} _{1Y} -100 ^{P_R} Z54 ⁰ _{1Y} -100 I Z54 ⁰ _{1Y} -100 ^{P_I} Z54 ⁰ _{1Y} -100 ^{P_{II}} Z54 ⁰ _{1Y} -100 ^{P_{III}}	10.0	L	450	550	650	750	850	950	1050	1150
		H	1100	1490	1720	1890	2180	2390	2484	2714
		Do	450	550	640	640	640	640	800	800
		重量(Kg) Weight	450	730	900	1200	1700	2500	3400	4600
Z54 ^{0H} _{1Y} -160 Z54 ^{0W} _{1Y} -160 ^{P_R} Z54 ⁰ _{1Y} -160 I Z54 ⁰ _{1Y} -160 ^{P_I} Z54 ⁰ _{1Y} -160 ^{P_{II}} Z54 ⁰ _{1Y} -160 ^{P_{III}}	16.0	L	600	750						
		H	1250	1520						
		Do	550	550						
		重量(Kg) Weight	492	780						



气动带手动闸阀 Pneumatic-manual gate valve



应用规范 Application specifications

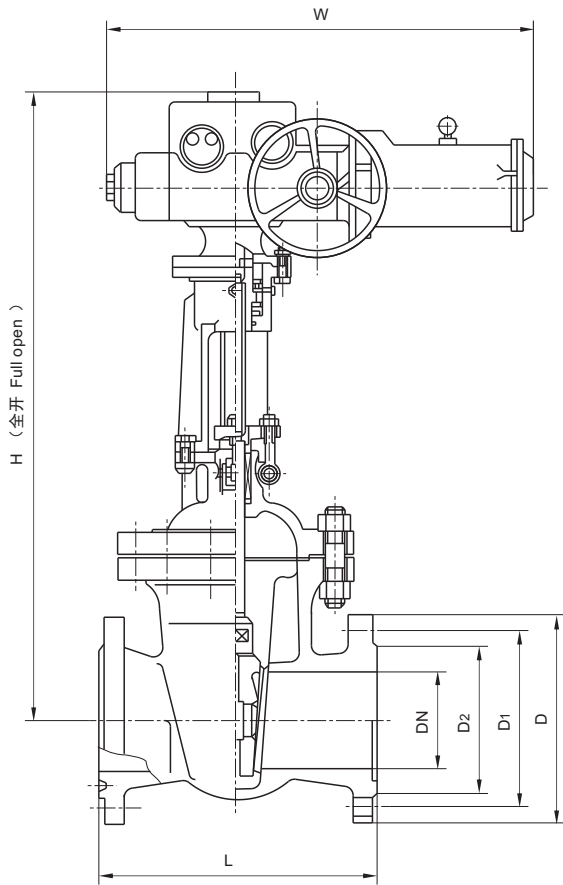
- 1、设计、制造按 GB/T 12234-1989标准
 - 2、主体材料: WCB、Cr5Mo、1Cr18Ni9Ti、1Cr18Ni12Mo2Ti、CF8、CF8M、CF3、CF3M
 - 3、结构长度按 GB/T 12221-1989标准
 - 4、法兰连接尺寸按 JB/T 79-1994标准
 - 5、密封副型式有: Cr13/Cr13、STL/STL、Cr13/STL、304/304、18-8/STL、18-8/18-8等
 - 6、阀门的检验和试验按 JB/T 9092-1999标准
1. Design and manufacture according to GB/T 12234-1989
 2. Main body material: WCB、Cr5Mo、1Cr18Ni9Ti、1Cr18Ni12Mo2Ti、CF8、CF8M、CF3、CF3M
 3. Face-to-face length according to GB/T 12221-1989
 4. Flange connection dimensions according to JB/T 79-1994
 5. Sealing face types includes: Cr13/Cr13、STL/STL、Cr13/STL、304/304、18-8/STL、18-8/18-8
 6. Valve inspection and test according to JB/T 9092-1999

产品型号规格和外形尺寸 Product model, specification and outline dimension

型号Model	公称压力 Nominal pressure MPa	尺寸 Dimensions(mm)														
		DN	50	65	80	100	125	150	200	250	300	350	400	450	500	600
Z6s4 ⁰ ₁ Y-16C Z6s4 ⁰ ₁ Y-16 ^P _R Z6s4 ⁰ ₁ Y-16 I	1.6	L	250	270	280	300	325	350	400	450	500	550	600	650	700	800
		H	845	930	1050	1230	1420	1549	1775	2028	2393	2525	2895	3400	4200	4970
		Do	240	240	240	400	400	400	400	400	500	500	500	640	640	640
		重量 (Kg) Weight	52	80	91	111	174	244	343	449	575	820	1120	1755	2130	2540
Z6s4 ⁰ ₁ Y-25 Z6s4 ⁰ ₁ Y-25 ^P _R Z6s4 ⁰ ₁ Y-25 I	2.5	L	250	270	280	300	325	350	400	450	500	550	600	650	700	800
		H	845	930	1050	1230	1420	1549	1775	2028	2393	2525	2895	3400	4200	4970
		Do	240	240	240	400	400	400	400	400	500	500	500	640	640	640
		重量 (Kg) Weight	52	80	91	111	174	244	343	449	575	820	1120	1755	2130	2540



电动闸阀 Electric actuated gate valve



应用规范 Application specifications

- 1、设计、制造按 GB/T 12234-1989标准
 - 2、主体材料: WCB、Cr5Mo、1Cr18Ni9Ti、1Cr18Ni12Mo2Ti、CF8、CF8M、CF3、CF3M
 - 3、结构长度按 GB/T 12221-1989标准
 - 4、法兰连接尺寸按 JB/T 79-1994标准
 - 5、密封副型式有: Cr13/Cr13、STL/STL、Cr13/STL、304/304、18-8/STL、18-8/18-8等
 - 6、阀门的检验和试验按 JB/T 9092-1999标准
1. Design and manufacture according to GB/T 12234-1989
 2. Main body material: WCB, Cr5Mo, 1Cr18Ni9Ti, 1Cr18Ni12Mo2Ti, CF8, CF8M, CF3, CF3M
 3. Face-to-face length according to GB/T 12221-1989
 4. Flange connection dimensions according to JB/T 79-1994
 5. Sealing face types includes: Cr13/Cr13, STL/STL, Cr13/STL, 304/304, 18-8/STL, 18-8/18-8
 6. Valve inspection and test according to JB/T 9092-1999

产品型号规格和外形尺寸 Product model, specification and outline dimension

型号 Model	公称压力 Nominal pressure MPa	尺寸 Dimensions(mm)				重量(Kg) Weight	尺寸 Dimensions(mm)				重量(Kg) Weight
		DN	L	H	W		DN	L	H	W	
Z94 ⁰ ₁ Y-16C Z94 ⁰ ₁ Y-16P Z94 ⁰ ₁ Y-16I	1.6	50	250	650	516	55	350	550	1580	860	800
		65	265	650	516	65	400	600	1640	860	1070
		80	280	800	680	78	450	650	1950	860	1380
		100	300	835	680	101	500	700	2220	1018	1600
		125	325	880	680	160	600	800	2510	1337	2100
		150	350	997	680	178	700	900	2950	1400	2950
		200	400	1122	680	252	800	1000	3340	1400	3440
		250	450	1276	680	362	900	1100	3860	1510	4010
300	500	1390	680	511							



产品型号规格和外形尺寸 Product model, specification and outline dimension

型号 Model	公称压力 Nominal pressure MPa	尺寸 Dimensions(mm)				重量 Weight (Kg)	尺寸 Dimensions(mm)				重量 Weight (Kg)
		DN	L	H	W		DN	L	H	W	
Z94 ⁰ ₁ Y-25 Z94 ⁰ ₁ W-25 ^P _R Z94 ⁰ ₁ Y-25 I	2.5	50	250	650	516	55	350	550	1580	860	800
		65	265	650	516	65	400	600	1640	860	1000
		80	280	800	680	78	450	650	1950	860	1350
		100	300	835	680	101	500	700	2200	1262	2073
		125	325	880	680	160	600	800	2620	1350	2400
		150	350	997	680	178	700	900	2950	1350	3340
		200	400	1122	680	252	800	1000	3340	1350	3700
		250	450	1276	680	362	900	1100	3860	1560	4480
300	500	1390	680	511							

产品型号规格和外形尺寸 Product model, specification and outline dimension

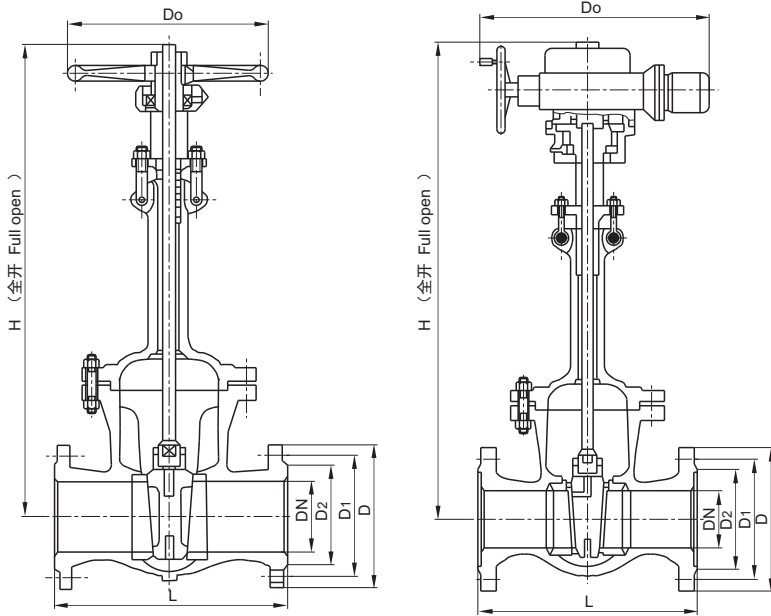
型号 Model	公称压力 Nominal pressure MPa	尺寸 Dimensions(mm)														
		DN	50	65	80	100	125	150	200	250	300	350	400	450	500	600
Z94 ⁰ ₁ Y-40 Z94 ⁰ ₁ W-40 ^P _R Z94 ⁰ ₁ Y-40 I	4.0	L	250	280	310	350	400	450	550	650	750	850	950	1050	1150	1350
		H	650	650	800	835	880	997	1122	1276	1470	1960	2170	2280	2450	2940
		W	516	516	680	680	680	680	680	720	720	890	890	990	990	1070
		重量(Kg) Weight	60	65	74	102	184	184	303	455	825	1029	1433	1922	2130	2400
Z94 ⁰ ₁ Y-64 Z94 ⁰ ₁ W-64 ^P _R Z94 ⁰ ₁ Y-64 I	6.4	L	250	280	310	350	400	450	550	650	750	850	950	1050	1150	1350
		H	680	730	796	846	943	1058	1295	1295	1650	1960	2238	2410	2610	2970
		W	680	680	680	680	720	720	840	840	1070	1070	1130	1130	1400	1500
		重量(Kg) Weight	76	96	118	153	208	300	409	505	761	1177	1948	2350	2855	3694
Z94 ⁰ ₁ Y-100 Z94 ⁰ ₁ W-100 ^P _R Z94 ⁰ ₁ Y-100 I	10.0	L	250	280	310	350	400	450	550	650	750	850	950	1050	1150	
		H	680	730	796	840	943	1058	1295	1295	1890	2185	2500	2635	2848	
		W	680	680	680	680	720	720	840	840	1070	1130	1130	1500	1500	
		重量(Kg) Weight	82	97	119	154	256	357	545	770	1350	1510	2030	2300	2617	
Z94 ⁰ ₁ Y-160 Z94 ⁰ ₁ W-160 ^P _R Z94 ⁰ ₁ Y-160 I	16.0	L	300	340	390	450	525	600	750							
		H	700	750	815	860	970	1224	1490							
		W	650	1010	1010	1010	1030	1030	1130							
		重量(Kg) Weight	200	250	250	250	450	748	1073							



低温闸阀、低温电动闸阀

Low temperature gate valve and low temperature electric driven gate valve

应用规范 Application specifications



- 1、设计、制造及验收按 JB/T 7749-95
- 2、主体材料: LCB、LF1、LF3、LC3、CF8、F304等
- 3、结构长度按 GB/T 12221-1989标准
- 4、法兰连接尺寸按 JB/T 79-1994标准
- 5、适用温度: -46~196°C
- 6、阀门的检验和试验按 JB/T 9092-1999标准

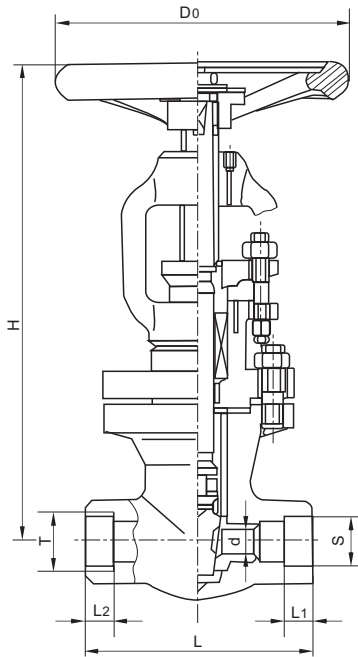
1. Design and manufacture and test according to JB/T 7749-95
2. Main body material: LCB、LF1、LF3、LC3、CF8、F304
3. Face-to-face length according to GB/T 12221-1989
4. Flange connection dimensions according to JB/T 79-1994
5. Suitable temperature: -46~196°C
6. Valve inspection and test according to JB/T 9092-1999

产品型号规格和外形尺寸 Product model, specification and outline dimensions

型号 Model	公称压力MPa Nominal pressure	尺寸 Dimensions(mm)										
		DN	50	65	80	100	150	200	250	300	350	400
DZ40Y-16 ^L _{P8}	1.6	L	250	265	280	300	350	400	450	500	550	600
		H	525	570	647	779	866	1208	1422	1652	1842	2075
		Do	240	280	280	320	320	400	450	560	640	720
		重量(Kg)Weight	24	32	40	55	81	220	302	452	618	863
DZ40Y-25 ^L _{P8}	2.5	L	250	265	280	300	350	400	450	500	550	600
		H	550	590	680	810	1015	1240	1452	1682	1872	2105
		Do	240	280	280	320	360	400	450	560	640	720
		重量(Kg)Weight	27	41	56	75	145	242	307	500	670	916
DZ40Y-40 ^L _{P8}	4.0	L	250	280	310	350	450	550	650	750	850	950
		H	570	610	700	830	1050	1252	1470	1700	1890	2125
		Do	280	280	320	360	400	450	560	640	720	720
		重量(Kg)Weight	28	42	58	78	171	291	399	574	740	920
DZ940Y-16 ^L _{P8}	1.6	L	250	265	280	300	350	400	450	500	550	600
		H	620	710	780	894	1052	1250	1445	1690	1900	2110
		Do	478	560	706	706	736	785	938	953	1022	1062
		重量(Kg)Weight	54	80	126	152	222	308	456	557	888	1122
DZ940Y-25 ^L _{P8}	2.5	L	250	265	280	300	350	400	450	500	550	600
		H	650	740	820	960	1080	1350	1470	1720	1930	2140
		Do	478	560	706	706	736	785	938	953	1022	1062
		重量(Kg)Weight	57	83	137	153	224	321	462	565	894	1172
DZ940Y-40 ^L _{P8}	4.0	L	250	280	310	350	450	550	650	750	850	950
		H	718	756	828	963	1092	1400	1560	1759	1940	2185
		Do	478	560	706	706	736	938	1022	1062	1062	1367
		重量(Kg)Weight	60	85	140	164	243	429	625	805	895	1873



螺纹、承插焊锻钢楔式闸阀 Threaded & socket weld connection forged steel wedge gate valve



应用规范 Application specifications

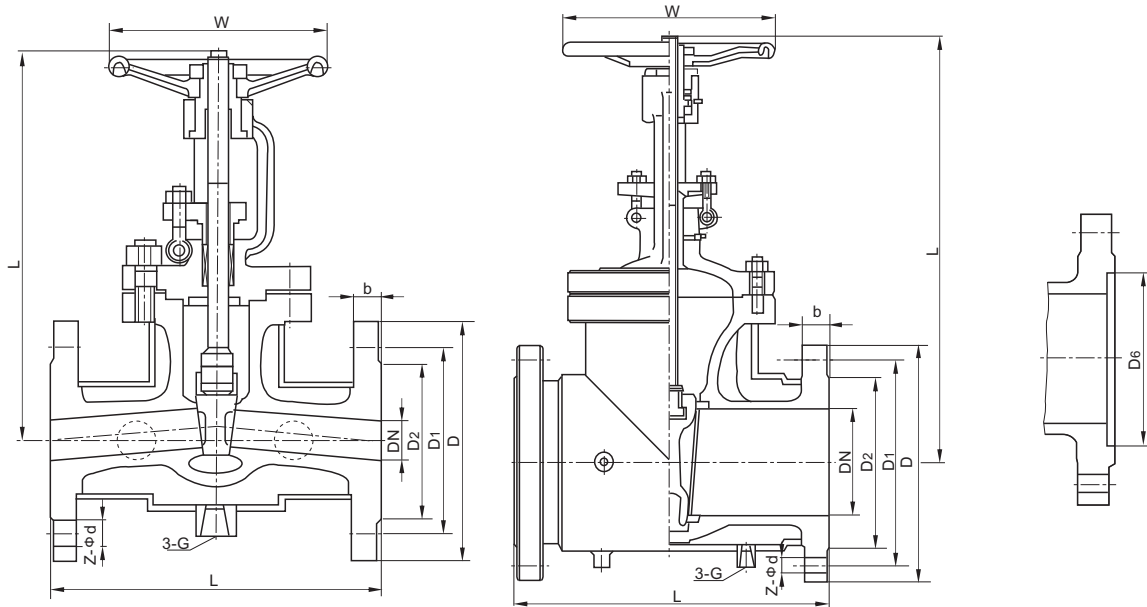
- 1、设计、制造及验收按 JB/T 7746-95
 - 2、主体材料: WCB、Cr5Mo、1Cr18Ni9Ti、1Cr18Ni12Mo2Ti、CF8、CF8M、CF3、CF3M
 - 3、连接端尺寸
承插孔尺寸按 JB/T 1751-75
螺纹端尺寸按 GB 7306-87
 - 4、密封副型式有: Cr13/Cr13、STL/STL、Cr13/STL、304/304、18-8/STL、18-8/18-8等
 - 5、阀门的检验和试验按 JB/T 9092-1999标准
1. Design and manufacture and test according to JB/T 7746-95
 2. Main body material: WCB, Cr5Mo, 1Cr18Ni9Ti, 1Cr18Ni12Mo2Ti, CF8, CF8M, CF3, CF3M
 3. The connecting dimensions
The dimensions of socket welded conform to standard JB/T 1751-75
The dimensions of threaded conform to standard GB 7306-87
 4. Sealing face types includes: Cr13/Cr13, STL/STL, Cr13/STL, 304/304, 18-8/STL, 18-8/18-8
 5. Valve inspection and test according to JB/T 9092-1999

产品型号规格和外形尺寸 Product model, specification & outline dimension

型号 Model	公称压力 Nominal pressure MPa	尺寸 Dimensions(mm)									重量 Weight (Kg)
		DN	L	S	L1	T	L2	d	H	Do	
Z61 ^H _Y -16 ^C _I ^P Z61 ^H _Y -25 ^C _I ^P Z61 ^H _Y -40 ^C _I ^P	1.6 2.5 4.0	15	90	22.5	10	1/2	15	13	151	118	3
		20	100	28.5	11	3/4	17	18	182	130	4
		25	120	34.5	12	1	19	23	197	150	5
		32	120	43	14	1 1/4	21	28	204	166	7
		40	135	49	15	1 1/2	21	36	253	180	11
		50	155	61	16	2	25	45	151	180	17
Z61 ^H _Y -64 ^C _I ^P Z61 ^H _Y -100 ^C _I ^P Z61 ^H _Y -160 ^C _I ^P	6.4 10.0 16.0	15	90	22.5	10	1/2	15	43	151	118	3
		20	100	28.5	11	3/4	17	48	182	130	4
		25	120	34.5	12	1	19	23	197	150	5
		32	130	43	14	1 1/4	21	28	212	180	8
		40	150	49	15	1 1/2	21	36	234	180	12
		50	155	61	16	2	25	45	250	180	18



法兰连接保温夹套钢制闸阀 Flange connection heat preservation jacket steel gate valve



应用规范 Application specifications

- 1、设计、制造按 GB/T 12234-89 标准
 - 2、主体材料: WCB、ZG1Cr18Ni9Ti、CF8(304)、CF3(304L)、ZG1Cr18Ni12Mo2Ti、CF8M(316)、CF3M(316L)
 - 3、结构长度按 GB/T 12221-1989 标准
 - 4、法兰连接尺寸按 JB/T 74-90 (JB74-90), GB9112-9131, HGJ44-76, SH3406
 - 5、阀门的检验和试验按 JB/T 9092-1999 标准
1. Design and manufacture according to GB/T 12234-89
 2. Main body material: WCB, ZG1Cr18Ni9Ti, CF8(304), CF3(304L), ZG1Cr18Ni12Mo2Ti, CF8M(316), CF3M(316L)
 3. Face-to-face length according to GB/T 12221-1989
 4. Flange connection dimensions according to JB/ 79-90 (JB-90), GB 9112-9131, HGJ44-76, SH3406
 5. Valve inspection and test according to standard JB/T 9092-1999

产品型号规格和外形尺寸 Product model, specification & outline dimension

型号 Model	公称压力 Nominal pressure MPa	尺寸 Dimensions(mm)										重量 Weight (Kg)	
		DN	法兰 Flange	L	D	D1	D2	b	Z-Φd	H	D0		G*(in)
$\begin{matrix} H \\ BZ40 \\ W-16 \\ Y \\ C \\ P \\ R \end{matrix}$	1.6	15	40	165	145/150	110	85/88	16	4-Φ18	240	120	G3/8	9
		20	40	190	145/150	110	85/88	16	4-Φ18	250	120	G3/8	13
		25	50	216	160/165	125	100/102	16/18	4-Φ18	270	120	G1/2	15
		32	50	229	160/165	125	100/102	16/18	4-Φ18	285	140	G1/2	16
		40	65	240	180/185	145	120/122	18	4-Φ18	310	180	G1/2	18
		50	80	250	195/200	160	135/138	20	8-Φ18	390	180	G1/2	26
		65	100	270	215/220	180	155/158	20	8-Φ18	450	200	G1/2	44
		80	125	280	245/250	210	185/188	22	8-Φ18	520	200	G1/2	57
		100	150	300	280/285	240	210/212	24/22	8-Φ23/8-Φ22	600	250	G1/2	70
		125	150	325	280/285	240	210/212	24/22	8-Φ23/8-Φ22	730	250	G1/2	100
		150	200	350	335/340	295	265/268	26/24	12-Φ23/12-Φ22	800	300	G1/2	150
		200	250	400	405	355	320	30/26	12-Φ25/12-Φ26	1010	300	G3/4	220
		250	300	450	460	410	375/378	30/28	12-Φ25/12-Φ26	1250	350	G3/4	300
300	350	500	520	470	435/438	34/32	16-Φ25/16-Φ26	1450	400	G3/4	390		

注: 1、表中以分数表示者, 分子为JB/T74-90系列2(即原机标 JB74-90-59)尺寸, 分母为 HGJ44-76、GB9112-9128、JB/T 74-90系列2尺寸。

2、*夹套接管亦可根据用户要求采用法兰等连接形式。

Notes: 1. As for fractions in table, numerators refer to dimensions in accordance with JB/T74-90 series two(original mechanical industry ministry standard JB74-90-59), and denominators in accordance with HBJ44-76, GB9128, JB/T74-90 series two.

2. *Jacket connective pipe can also be replaced with flange connection type according to user's requirement.



产品型号规格和外形尺寸 Product model, specification & outline dimension

型号 Model	公称压力 Nominal pressure MPa	尺寸 Dimensions(mm)											重量 Weight (Kg)
		DN	法兰 Flange	L	D	D1	D2	b	Z-Φd	H	D0	G*(in)	
H BZ40 W-25 P Y C R	2.5	15	40	165	145/150	110	85/88	18	4-Φ18	250	120	G3/8	10
		20	40	190	145/150	110	85/88	18	4-Φ18	260	120	G3/8	13
		25	50	216	160/165	125	100/102	20	4-Φ18	280	120	G1/2	16
		32	50	229	160/165	125	100/102	20	4-Φ18	290	140	G1/2	17
		40	65	240	180/185	145	120/122	22	8-Φ18	320	180	G1/2	20
		50	80	250	195/200	160	135/138	22/24	8-Φ18	400	180	G1/2	28
		65	100	270	230/235	190	160/162	24	8-Φ23/8-Φ22	460	200	G1/2	48
		80	125	280	270	220	188	28/26	8-Φ25/8-Φ26	540	250	G1/2	62
		100	150	300	300	250	218	30/28	8-Φ25/8-Φ26	620	250	G1/2	76
		125	150	325	300	250	218	30/28	8-Φ25/8-Φ26	750	300	G1/2	110
		150	200	350	360	310	278	34/30	12-Φ25/12-Φ26	830	300	G1/2	165
		200	250	400	425	370	332/335	36/32	12-Φ30	1040	350	G3/4	235
		250	300	450	485	430	390/395	40/36	16-Φ30	1280	400	G3/4	320
		300	350	500	550/555	490	448/450	44/40	16-Φ34/16-Φ33	1480	450	G3/4	420

产品型号规格和外形尺寸 Product model, specification & outline dimension

型号 Model	公称压力 Nominal pressure MPa	尺寸 Dimensions(mm)											重量 Weight (Kg)	
		DN	法兰 Flange	L	D	D1	D2	D6	b	Z-Φd	H	D0		G*(in)
H BZ40 W-40 P Y C R	4.0	15	40	165	145/150	110	85/88	76	18	4-Φ18	255	140	G3/8	11
		20	40	190	145/150	110	85/88	76	18	4-Φ18	265	140	G3/8	14
		25	50	216	160/165	125	100/102	88	20	4-Φ18	285	140	G1/2	18
		32	50	229	160/165	125	100/102	88	20	4-Φ18	295	180	G1/2	20
		40	65	241	180/185	145	120/122	110	22	8-Φ18	325	200	G1/2	23
		50	80	250	195/200	160	135/138	121	22/24	8-Φ18	410	200	G1/2	32
		65	100	280	230/235	190	160/162	150	24/26	8-Φ23/8-Φ22	470	250	G1/2	53
		80	125	310	270	220	188	176	28	8-Φ25/8-Φ26	550	300	G1/2	70
		100	150	350	300	250	218	204	30	8-Φ25/-Φ26	630	300	G1/2	82
		125	150	400	300	250	218	204	30	8-Φ25/-Φ26	760	350	G1/2	125
		150	200	450	375	320	282/285	260	38	12-Φ30	840	350	G1/2	185
		200	250	550	445/450	385	345	313	42	12-Φ34/12-Φ33	1050	400	G3/4	280
		250	300	650	510/515	450	408/410	364	46	16-Φ34/16-Φ33	1300	450	G3/4	375
		300	350	750	570/580	510	465	422	52	16-Φ34/16-Φ36	1500	500	G3/4	490

注：1、表中以分数表示者，分子为JB/T74~90系列2（即原机标JB74~90-59）尺寸，分母为HGJ44~76、GB9128~9128、JB/T 74~90系列2尺寸。

2、*夹套接管亦可根据用户要求采用法兰等连接形式。

Notes: 1. As for fractions in table, numerators refer to dimensions in accordance with JB/T74~90 series two(original mechanical industry ministry standard JB74~90-59), and denominators in accordance with HBJ44~76, GB9128, JB/T74~90 series two.

2. *Jacket connective pipe can also be replaced with flange connection type according to user's requirement.



国外标准闸阀 Foreign standard gate valve

选用指南 Selection guide

用户应根据本样本所列的产品型号进行选型订货。Users shall select needed models to order based on this catalogue.

如对以下各项另有要求或变更，都应在订货合同中加以说明。

- 1、阀门规格（用英寸in表示）
- 2、压力等级（英美制用磅级表示，日本制用K级表示）
- 3、法兰连接尺寸及其密封面形式
- 4、焊接端及其孔径；
- 5、阀门结构长度
- 6、需要齿轮传动（包括传动方式及布置方式等）
- 7、需要链轮传动（传动方位及其链条长度等）
- 8、需要旁通（包括旁通阀门的类型、规格、公称压力以及连接方式等）
- 9、需要电动装置驱动（包括电动装置的型号、特性及其制造厂商和是否带手动等）；
- 10、夹套阀门（包括夹套内介质的性质及其连接方式等）
- 11、填料和垫片的要求
- 12、阀门主要材料
- 13、密封副材料的匹配
- 14、其它

If any of the following needs to be changed, it should be specified in the contract.

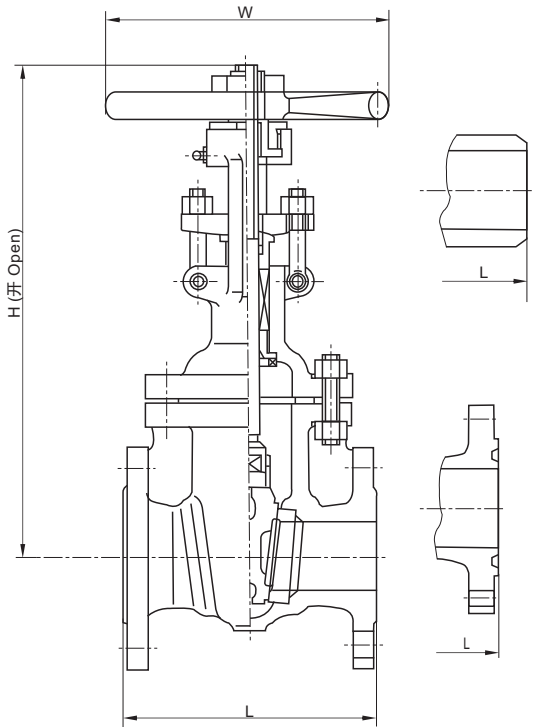
1. Valve specifications (use inch as measure unit)
2. Pressure class (unit in pound of UK or US standard adopted, unit in K of JIS)
3. Flange connection dimensions and sealing face type
4. Welding end and bore
5. Valve face-to-face length
6. Gear actuation required (including actuation type and arrangement mode, etc.)
7. Chain wheel required (driving positions and chain length, etc.)
8. Side valves required (in cluding type, specification, nominal pressure, connection mode, etc. of the side valves)
9. Electric actuator required (including type, characteristics, manufacturer of the electric actuator and manual operation or not)
10. Jacket valve (medium properties inside the jacket and connection mode, etc.)
11. Washer and packing requirements
12. Main materials of valve
13. Material match of seal faces
14. Others.

闸阀订货号编制方法及说明 Ordering guide system and illustration of gate valve

	1	2	3	4	5	6	7	8
冠正阀门企业标志 Corporation logo of GUANZHENG	特殊结构代号 Code of special structure	闸阀代号 Code of gate valve	结构形式代号 Code of structure type code	压力等级代号 Code of pressure class	连接形式代号 Code of connection type	密封副材料代号 Code of sealing face material	阀体材料代号 Code of body material	传动方式代号 Code of actuation type
	B-保温阀 Heat-preserving valve D-低温阀 Low temperature valve L-长颈阀 Long neck valve	Z-闸阀 Gate valve	螺栓连接阀盖、外 螺纹支架式省略 No code for bolted bonnet external screw yoke type P-压力自紧密封阀盖 Pressure seat bonnet	1-150Lb 3-300Lb 4-400Lb 6-600Lb 8-800Lb 9-900Lb 15-1500Lb 25-2500Lb 1K-10K 2K-20K	W-BW（对焊 Butt weld） F-RF（凸面平 法兰 Raised face flange） R-RJ（环密封 法兰 Ring seal flange） S-承插焊 Socket weld T-螺纹连接 Threaded connection U-进口承插焊， 出口螺纹连接 Inlet adopt socket weld and outlet end adopts threaded connection	1-Cr13/Cr13 2-STL/STL 3-Cr13/STL 4-Monel/Monel 5-18-8/STL 6-18-8/18-8 7-H.C/H.C 8-20#/20# 9-304/304	C-WCB(A105) H-WC6(F11) V-WC9(F12) P-CF8(304) R-CF8M(316) S-CF3(304L) L-CF3M(316L) M-Monel N-CN7M(20#)	手动省略 Code omitted for manual operation Z-正齿轮传动 Spur gear driven S-伞齿轮传动 Bevel gear driven D-电动 Electric actuator



手轮操作铸钢闸阀 Handwheel operated cast steel gate valve



应用规范 Application specifications

- 1、设计、制造按 API STD.600
- 2、结构长度按 ANSI B16.10
- 3、连接端
法兰尺寸: ANSI 150、300Lb按 ANSI B16.5
JIS 10K、20K按 JIS B2212~B2214
对接焊端按 ANSI B16.25
- 4、阀门检查和试验按 API STD.598
- 5、结构: B.B; OS & Y
- 6、主体材料: WCB、WC6、WC9、CF8、CF8M、CF3、CF3M、MONEL、CN7M

1. Design and manufacture according to API STD.600
2. Face-to-face length according to ANSI B16.10
3. Connection end
Flange size: ANSI 150, 300Lb in accordance with ANSI B16.5
JIS 10K, 20K according to JIS B2212~2214.
Butt weld: according to ANSI B16.25
4. Valve inspection and test according to API STD.598
5. Structure: B.B; OS&Y
6. Main body material: WCB, WC6, WC9, CF8, CF8M, CF3, CF3M, MONEL, CN7M

尺寸和重量 Dimensions & weight

mm

规格 Specification		ANSI 150Lb、10K						ANSI 300Lb、20K						
inch	DN	L		H≈	W	重量(Kg) Weight		L		H≈	W	重量(Kg) Weight		
		RF	BW			RF	BW	RF·BW	RJ			RF	RJ	BW
2	50	178	178	409	200	22	18	216	232	428	200	24	29	18
2 1/2	65	190	190	472	200	31	27	241	257	477	250	34	40	28
3	80	203	203	532	250	45	40	283	298	543	250	49	59	38
4	100	229	229	612	250	62	52	305	321	650	300	70	80	55
6	150	267	267	806	300	123	113	403	419	880	350	133	148	110
8	200	292	292	990	350	136	122	419	435	1037	450	233	248	200
10	250	330	330	1186	450	283	263	457	473	1275	500	333	353	285
12	300	356	356	1415	500	323	293	502	518	1438	560	536	570	460
14	350	381	381	1583	560	387	330	762	778	1585	640	820	860	690
16	400	406	406	1771	640	553	500	838	854	1960	720	1010	1060	870
18	450	432	432	1955	720	660	610	914	930	2155	800	1300	1380	1110
20	500	457	457	2210	800	810	760	991	1010	2330	900	1500	1630	1310
24	600	508	508	2698	900	1228	1150	1143	1165	2550	900	1700	1880	1510



订货号 Ordering guide (WCB、WC6、WC9)

主体材料 Body material	压力级 Pressure grade	内件代号 Trim code				
		1	2	3	4	9
		Cr13/Cr13	STL/STL	Cr13/STL	Monel/Monel	304/304
WCB	150Lb	Z1F1C	Z1F2C	Z1F3C	Z1F4C	Z1F9C
	300Lb	Z3F1C	Z3F2C	Z3F3C	Z3F4C	Z3F9C
	10K	Z1KF1C	Z1KF2C	Z1KF3C	Z1KF4C	Z1KF9C
	20K	Z2KF1C	Z2KF2C	Z2KF3C	Z2KF4C	Z2KF9C
WC6	150Lb		Z1F2H			
	300Lb		Z3F2H			
	10K		Z1KF2H			
	20K		Z2KF2H			
WC9	150Lb		Z1F2V			
	300Lb		Z3F2V			
	10K		Z1KF2V			
	20K		Z2KF2V			

订货号 Ordering guide (CF8、CF8M、CF3、CF3M、Monel, CN7M)

主体材料 Body material	压力级 Pressure grade	内件代号 Trim code					
		2	5	6	7	4	8
		STL/STL	18-8/STL	18-8/18-8	H.C/H.C.	Monel/Monel	20号/20号
CF8	150Lb	Z1F2P	Z1F5P	Z1F6P	Z1F7P		
	300Lb	Z3F2P	Z3F5P	Z3F6P	Z3F7P		
	10K	Z1KF2P	Z1KF5P	Z1KF6P	Z1KF7P		
	20K	Z2KF2P	Z2KF5P	Z2KF6P	Z2KF7P		
CF8M	150Lb	Z1F2R	Z1F5R	Z1F6R	Z1F7R		
	300Lb	Z3F2R	Z3F5R	Z3F6R	Z3F7R		
	10K	Z1KF2R	Z1KF5R	Z1KF6R	Z1KF7R		
	20K	Z2KF2R	Z2KF5R	Z2KF6R	Z2KF7R		
CF3	150Lb	Z1F2S	Z1F5S	Z1F6S	Z1F7S		
	300Lb	Z3F2S	Z3F5S	Z3F6S	Z3F7S		
	10K	Z1KF2S	Z1KF5S	Z1KF6S	Z1KF7S		
	20K	Z2KF2S	Z2KF5S	Z2KF6S	Z2KF7S		
CF3M	150Lb	Z1F2L	Z1F5L	Z1F6L	Z1F7L		
	300Lb	Z3F2L	Z3F5L	Z3F6L	Z3F7L		
	10K	Z1KF2L	Z1KF5L	Z1KF6L	Z1KF7L		
	20K	Z2KF2L	Z2KF5L	Z2KF6L	Z2KF7L		
Monel	150Lb					Z1F4M	
	300Lb					Z3F4M	
	10K					Z1KF4M	
	20K					Z2KF4M	
CN7M	150Lb						Z1F8N
	300Lb						Z3F8N
	10K						Z1KF8N
	20K						Z2KF8N

说明: 1、对磅级制阀门如采用对接焊连接, 连接单元“F”用“W”表示。如采用金属环连接“F”用“R”表示。

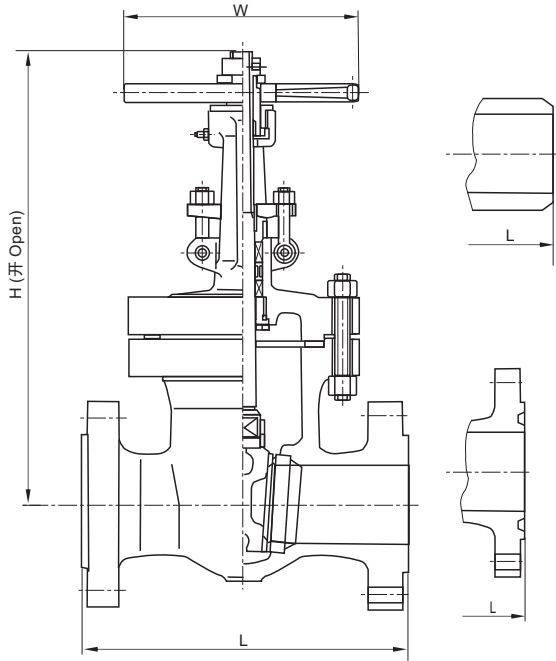
2、对凸面法兰连接磅级制阀门如壁厚要求按ANSI B16.34或API STD.603的, 连接单元“F”用“E”表示, 对接焊端阀门如有此要求, 必须在合同中注明。

Notes: 1. As for valves in pound unit, connection unit "F" is expressed with "W" if butt weld adopted; "F" expressed with "R" if metal ring adopted.

2. As for raised face flanged valves in pound unit, use "F" to express "F" if weld thickness is required according to ANSI 16.34 or API STD.603, which need to be noted in contract.



手轮操作铸钢闸阀 Handwheel operated cast steel gate valve



应用规范 Application specifications

- 1、设计、制造按API STD.600
 - 2、结构长度按ANSI B16.10
 - 3、连接端
法兰尺寸按ANSI B16.5
对接焊端按ANSI B16.25
 - 4、阀门检查和试验按API STD.598
 - 5、结构: B.B; OS & Y
 - 6、主体材料: WCB、WC6、WC9、CF8、CF8M、CF3、CF3M
1. Design and manufacture according to API STD.600
 2. Face-to-face length according to ANSI B16.10
 3. Connection end
Flange size according to ANSI B16.5
Butt weld according to ANSI B16.25
 4. Valve inspection and test according to API STD.598
 5. Structure: B.B; OS & Y
 6. Main body material: WCB, WC6, WC9, CF8, CF8M, CF3, CF3M

尺寸和重量 Dimensions & weight

mm

规格 Specifications		ANSI 600Lb						ANSI 900Lb					
		L		H≈	W	重量(Kg) Weight		L		H≈	W	重量(Kg) Weight	
inch	DN	RF.BW	RJ			RF.RJ	BW	RF.BW	FJ			RF.RJ	BW
2	50	292	295	474	250	42	35	368	372	590	250	130	110
2 1/2	65	330	333	553	250	58	45	419	422	700	300	170	145
3	80	356	359	593	300	89	55	381	384	740	300	190	160
4	100	432	435	713	350	131	90	457	460	870	350	215	175
6	150	559	562	970	500	253	200	610	613	1078	560	420	365
8	200	660	664	1122	560	413	336	737	740	1318	640	700	631
10	250	787	791	1330	720	623	496	838	841	1581	800	1112	994
12	300	838	841	1519	800	962	812	965	968	1867	800	1662	1502
14	350	889	892	1716	900	1280	1105	1029	1039	2004	900	2160	1916
16	400	991	994	2110	1000	1782	1530	1130	1140	2178	1000	2800	2452

尺寸和重量 Dimensions & weight

mm

规格 Specifications		ANSI 1500Lb						ANSI 2500Lb					
		L		H≈	W	重量(Kg) Weight		L		H≈	W	重量(Kg) Weight	
inch	DN	RF.BW	RJ			RF.RJ	BW	RF.BW	FJ			RF.RJ	BW
2	50	368	372	590	250	130	110	451	454	730	315	200	180
2 1/2	65	419	422	700	350	170	145	508	514	810	400	260	215
3	80	470	473	780	400	225	190	578	584	932	450	310	245
4	100	546	549	880	500	335	285	673	683	1025	500	480	385
6	150	705	711	1222	720	600	495	914	927	1320	900	922	672
8	200	832	841	1572	900	954	740	1022	1038	1616	1000	1453	1090
10	250	991	1000	1830	900	1603	1122	1270	1300	1910	1000	1895	1508
12	300	1130	1146	2076	1000	2600	1807	1422	1500	2212	1000	2337	1958



订货号 Ordering guide (WCB, WC6, WC9)

主体材料 Body material	压力级(Lb) Pressure grade	内 件 代 号 Trim code				
		1	2	3	4	9
		Cr13/Cr13	STL/STL	Cr13/STL	Monel/Monel	304/304
WCB	600	Z6R1C	Z6R2C	Z6R3C	Z6R4C	Z6R9C
	900	Z9R1C	Z9R2C	Z9R3C	Z9R4C	Z9R9C
	1500	Z15R1C	Z15R2C	Z15R3C	Z15R4C	Z15R9C
	2500	Z25R1C	Z25R2C	Z25R3C	Z25R4C	Z25R9C
WC6	600		Z6R2H			
	900		Z9R2H			
	1500		Z15R2H			
	2500		Z25R2H			
WC9	600		Z6R2V			
	900		Z9R2V			
	1500		Z15R2V			
	2500		Z25R2V			

说明：如连接端为凸面法兰或对接焊，连接单元“R”分别用“F”或“W”表示。

Notes: If connection ends are raised face flange or butt weld, connection unit is expressed with "F" or "W" respectively.

订货号 Ordering guide (CF8, CF8M, CF3, CF3M)

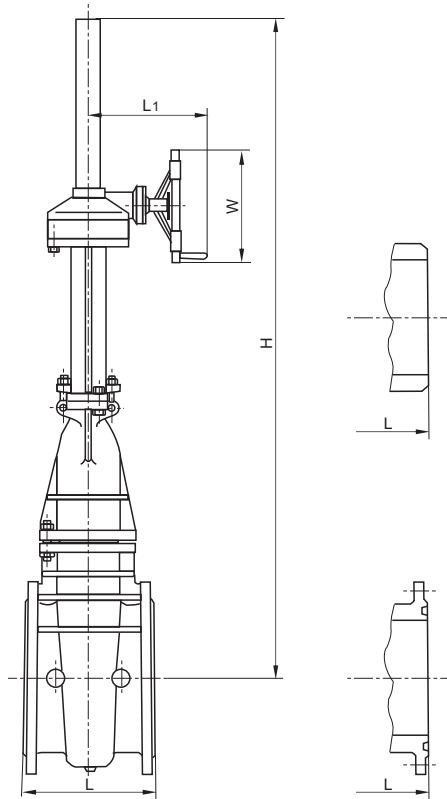
主体材料 Body material	压力级(Lb) Pressure grade	内 件 代 号 Trim code			
		2	5	6	7
		STL/STL	18-8/STL	18-8/18-8	H.C/H.C
CF8	600	Z6R2P	Z6R5P	Z6R6P	Z6R7P
	900	Z9R2P	Z9R5P	Z9R6P	Z9R7P
	1500	Z15R2P	Z15R5P	Z15R6P	Z15R7P
	2500	Z25R2P	Z25R5P	Z25R6P	Z25R7P
CF8M	600	Z6R2R	Z6R5R	Z6R6R	Z6R7R
	900	Z9R2R	Z9R5R	Z9R6R	Z9R7R
	1500	Z15R2R	Z15R5R	Z15R6R	Z15R7R
	2500	Z25R2R	Z25R5R	Z25R6R	Z25R7R
CF3	600	Z6R2S	Z6R5S	Z6R6S	Z6R7S
	900	Z9R2S	Z9R5S	Z9R6S	Z9R7S
	1500	Z15R2S	Z15R5S	Z15R6S	Z15R7S
	2500	Z25R2S	Z25R5S	Z25R6S	Z25R7S
CF3M	600	Z6R2L	Z6R5L	Z6R6L	Z6R7L
	900	Z9R2L	Z9R5L	Z9R6L	Z9R7L
	1500	Z15R2L	Z15R5L	Z15R6L	Z15R7L
	2500	Z25R2L	Z25R5L	Z25R6L	Z25R7L

说明：如连接端为凸面法兰或对接焊，连接单元“R”分别用“F”或“W”表示。

Notes: If connection ends are raised face flange or butt weld, connection unit is expressed with "F" or "W" respectively.



伞齿轮传动铸钢闸阀 Bevel gear driven cast steel gate valve



应用规范 Application specifications

- 1、设计、制造按API STD.600
- 2、结构长度按ANSI B16.10
- 3、连接端
 法兰尺寸：ANSI 150、300Lb按ANSI B16.5
 规格≥26" 时按API 605或MSS-SP-44
 JIS 10K、20K按JIS B2212~B2214
 对接焊端按 ANSI B16.25
- 4、阀门检查和试验按API STD.598
- 5、结构：B.B; OS & Y
- 6、主体材料：WCB、WC6、WC9、CF8、CF8M、CF3、CF3M、MONEL、CN7M

1. Design and manufacture according to API STD.600
2. Face-to-face length according to ANSI B16.10
3. Connection end
 Flange size: ANSI 150, 300Lb in accordance with ANSI B16.5
 Specification ≥26" time to API 605 or MSS-SP-44
 JIS 10K, 20K, in accordance with JIS B2212~B2214
 Butt weld according to ANSI B16.25
4. Valve inspection and test according to API STD.598
5. Structure: B.B; OS & Y
6. Main body material: WCB, WC6, WC9, CF8, CF8M, CF3, CF3M, MONEL, CN7M

尺寸和重量 Dimensions & weight

mm

规格 Specification		150Lb、10K						300Lb、20K								
inch	DN	L		H≈	L1	W	重量(Kg) Weight		L		H≈	L1	W	重量(Kg) Weight		
		RF	BW				RF	BW	RF·BW	RJ				RF	RJ	BW
8	200	292	292	865	357	305	166	232	419	435	912	357	305	263	230	278
10	250	330	330	1000	357	305	313	293	457	473	1005	357	305	340	300	365
12	300	356	356	1166	357	305	353	313	502	518	1122	357	305	526	450	560
14	350	381	381	1224	357	305	420	363	762	778	1240	372	458	700	600	780
16	400	406	406	1454	372	458	593	540	838	854	1380	427	458	890	750	1000
18	450	432	432	1540	427	458	710	660	914	930	1530	427	610	1158	950	1260
20	500	457	457	1769	427	610	880	830	991	1010	1680	427	610	1313	1110	1540
24	600	508	508	2153	427	610	1320	1240	1143	1165	2200	507	610	1900	1650	2100
26	650	559	864	2200	507	610	1900	1760	1245	1270	2400	507	610	2400	2000	2650
28	700	610	914	2245	507	610	2250	2150	1346	1372	2570	665	813	2940	2450	3150
30	750	610	914	2350	665	813	2700	2560	1397	1422	2760	665	813	3500	2900	3800
32	800	660	965	2500	665	813	3020	2820	1524	1589	2960	770	1000	4000	3350	4450
34	850	711	1016	2650	665	813	3350	3100	1626	1700	3140	770	1000	4540	3810	4950
36	900	711	1016	2917	665	813	3720	3540	1727	1810	3320	770	1000	5100	4260	5480



订货号 Ordering guide (WCB、WC6、WC9)

主体材料 Body material	压力级 Pressure grade	内件代号 Trim code				
		1	2	3	4	9
		Cr13/Cr13	STL/STL	Cr13/STL	Monel/Monel	304/304
WCB	150Lb	Z1F1C-S	Z1F2C-S	Z1F3C-S	Z1F4C-S	Z1F9C-S
	300Lb	Z3F1C-S	Z3F2C-S	Z3F3C-S	Z3F4C-S	Z3F9C-S
	10K	Z1KF1C-S	Z1KF2C-S	Z1KF3C-S	Z1KF4C-S	Z1KF9C-S
	20K	Z2KF1C-S	Z2KF2C-S	Z2KF3C-S	Z2KF4C-S	Z2KF9C-S
WC6	150Lb		Z1F2H-S			
	300Lb		Z3F2H-S			
	10K		Z1KF2H-S			
	20K		Z2KF2H-S			
WC9	150Lb		Z1F2V-S			
	300Lb		Z3F2V-S			
	10K		Z1KF2V-S			
	20K		Z2KF2V-S			

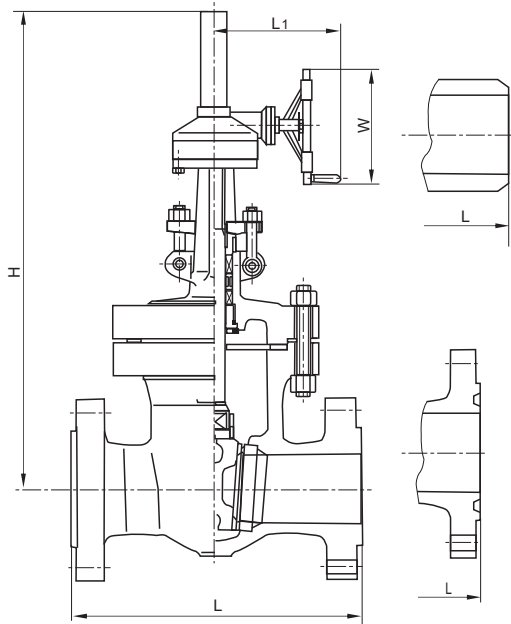
订货号 Ordering guide (CF8、CF8M、CF3、CF3M、Monel, CN7M)

主体材料 Body material	压力级 Pressure grade	内件代号 Trim code					
		2	5	6	7	4	8
		STL/STL	18-8/STL	18-8/18-8	H.C/H.C.	Monel/Monel	20号/20号
CF8	150Lb	Z1F2P-S	Z1F5P-S	Z1F6P-S	Z1F7P-S		
	300Lb	Z3F2P-S	Z3F5P-S	Z3F6P-S	Z3F7P-S		
	10K	Z1KF2P-S	Z1KF5P-S	Z1KF6P-S	Z1KF7P-S		
	20K	Z2KF2P-S	Z2KF5P-S	Z2KF6P-S	Z2KF7P-S		
CF8M	150Lb	Z1F2R-S	Z1F5R-S	Z1F6R-S	Z1F7R-S		
	300Lb	Z3F2R-S	Z3F5R-S	Z3F6R-S	Z3F7R-S		
	10K	Z1KF2R-S	Z1KF5R-S	Z1KF6R-S	Z1KF7R-S		
	20K	Z2KF2R-S	Z2KF5R-S	Z2KF6R-S	Z2KF7R-S		
CF3	150Lb	Z1F2S-S	Z1F5S-S	Z1F6S-S	Z1F7S-S		
	300Lb	Z3F2S-S	Z3F5S-S	Z3F6S-S	Z3F7S-S		
	10K	Z1KF2S-S	Z1KF5S-S	Z1KF6S-S	Z1KF7S-S		
	20K	Z2KF2S-S	Z2KF5S-S	Z2KF6S-S	Z2KF7S-S		
CF3M	150Lb	Z1F2L-S	Z1F5L-S	Z1F6L-S	Z1F7L-S		
	300Lb	Z3F2L-S	Z3F5L-S	Z3F6L-S	Z3F7L-S		
	10K	Z1KF2L-S	Z1KF5L-S	Z1KF6L-S	Z1KF7L-S		
	20K	Z2KF2L-S	Z2KF5L-S	Z2KF6L-S	Z2KF7L-S		
Monel	150Lb					Z1F4M-S	
	300Lb					Z3F4M-S	
	10K					Z1KF4M-S	
	20K					Z2KF4M-S	
CN7M	150Lb						Z1F8N-S
	300Lb						Z3F8N-S
	10K						Z1KF8N-S
	20K						Z2KF8N-S

- 说明: 1. 对磅级闸阀如采用对接焊连接, 连接单元“F”用“W”表示。如采用金属环连接“F”用“R”表示。
 2. 对凸面法兰连接磅级制闸阀如壁厚要求按ANSI B16.34或API STD.603的”连接单元“F”用“E”表示, 对接焊端闸阀如有此要求, 必须在合同中注明。
 3. 规格≥26”时, 法兰尺寸按API 605, 其连接单元仍用“F”表示; 而法兰采用MSS-SP-44, 其连接单元, 用“M”表示。
 Note: 1. As for valves in pound unit, use "W" to express connection unit "F" if butt weld connection is adopted, and use "R" to express "F" if metal ring connection is adopted.
 2. As for raised face flanged valves in pound unit, use "F" to express connection unit "F" if weld thickness is required according to ANSI B16.34 or API STD.603 which need to be specified in contract.
 3. When size ≥26", flange is according to API 605, whose connection unit still uses "F". If flange adopts MSS-SP-44, use "M" express connection unit.



伞齿轮传动铸钢闸阀 Bevel gear driven cast steel gate valve



应用规范 Application specifications

- 1、设计、制造按API STD. 600
 - 2、结构长度按ANSI B16.10
 - 3、连接端
法兰尺寸按ANSI B16.5
对接焊端按ANSI B16.25
 - 4、阀门检查和试验按API STD.598
 - 5、结构: B.B; OS & Y
 - 6、主体材料: WCB、WC6、WC9、CF8、CF8M、CF3、CF3M
1. Design and manufacture according to API STD.600
 2. Face-to-face length according to ANSI B16.10
 3. Connection end
Flange size according to ANSI B16.5
Butt weld according to ANSI B16.25
 4. Valve inspection and test according to API STD.598
 5. Structure: B.B; OS & Y
 6. Main body material: WCB, WC6, WC9, CF8, CF8M, CF3, CF3M

尺寸和重量 Dimensions & weight

mm

规格 Specifications		ANSI 600Lb							ANSI 900Lb						
		L		H≈	L1	W	重量(Kg) Weight		L		H≈	L1	W	重量(Kg) Weight	
		inch	DN				RF.BW	RJ	RF.RJ	BW				RF.BW	FJ
6	150	559	562	990	357	305	260	207	610	613	893	427	458	440	385
8	200	660	664	1130	357	305	418	341	737	740	1070	427	458	720	650
10	250	787	791	1357	427	458	674	547	838	841	1292	427	610	1140	1020
12	300	838	841	1519	427	610	984	824	965	968	1540	507	610	1720	1560
14	350	889	892	1730	427	610	1288	1113	1029	1039	1618	665	813	2400	2160
16	400	991	994	1836	507	610	1800	1550	1130	1140	1732	665	813	3040	2700
18	450	1092	1095	2364	665	813	2792	2392							
20	500	1194	1197	2594	665	813	3655	3173							
24	600	1397	1403	3152	665	813	4060	3470							

尺寸和重量 Dimensions & weight

mm

规格 Specifications		ANSI 1500Lb							ANSI 2500Lb						
		L		H≈	L1	W	重量(Kg) Weight		L		H≈	L1	W	重量(Kg) Weight	
		inch	DN				RF.BW	RJ	RF.RJ	BW				RF.BW	FJ
4	100								673	683	1060	427	458	520	420
6	150	705	711	1250	427	458	640	535	914	927	1380	427	458	960	810
8	200	832	841	1600	427	458	990	775	1022	1038	1680	507	610	1540	1180
10	250	991	1000	1860	427	610	1650	1170							
12	300	1130	1146	2150	507	610	2670	1880							
14	350	1257	1276	2380	665	813	4180	3200							
16	400	1384	1407	2580	665	813	4900	3850							



订货号 Ordering guide (WCB, WC6, WC9)

主体材料 Body material	压力级(Lb) pressure grade	内 件 代 号 Trim code				
		1	2	3	4	9
		Cr13/Cr13	STL/STL	Cr13/STL	Monel/Monel	304/304
WCB	600	Z6R1C-S	Z6R2C-S	Z6R3C-S	Z6R4C-S	Z6R9C-S
	900	Z9R1C-S	Z9R2C-S	Z9R3C-S	Z9R4C-S	Z9R9C-S
	1500	Z15R1C-S	Z15R2C-S	Z15R3C-S	Z15R4C-S	Z15R9C-S
	2500	Z25R1C-S	Z25R2C-S	Z25R3C-S	Z25R4C-S	Z25R9C-S
WC6	600		Z6R2H-S			
	900		Z9R2H-S			
	1500		Z15R2H-S			
	2500		Z25R2H-S			
WC9	600		Z6R2V-S			
	900		Z9R2V-S			
	1500		Z15R2V-S			
	2500		Z25R2V-S			

说明：如连接端为凸面法兰或对接焊，连接单元“R”分别用“F”或“W”表示。

Notes: If connection ends are raised face flange or butt weld, connection unit is expressed with "F" or "W" respectively.

订货号 Ordering guide (CF8, CF8M, CF3, CF3M)

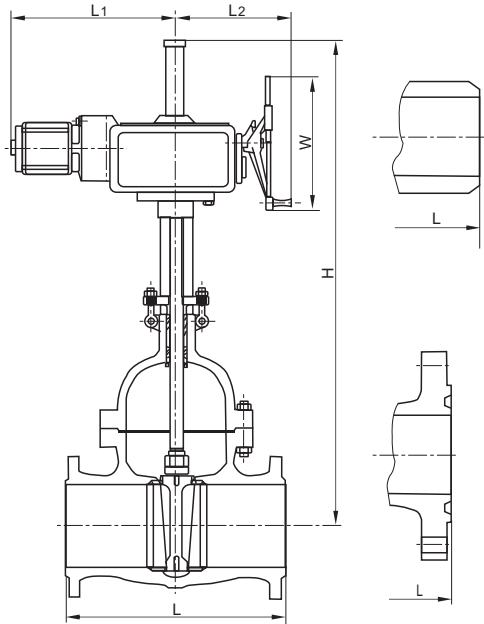
主体材料 Body material	压力级(Lb) Pressure grade	内 件 代 号 Trim code			
		2	5	6	7
		STL/STL	18-8/STL	18-8/18-8	H.C/H.C
CF8	600	Z6R2P-S	Z6R5P-S	Z6R6P-S	Z6R7P-S
	900	Z9R2P-S	Z9R5P-S	Z9R6P-S	Z9R7P-S
	1500	Z15R2P-S	Z15R5P-S	Z15R6P-S	Z15R7P-S
	2500	Z25R2P-S	Z25R5P-S	Z25R6P-S	Z25R7P-S
CF8M	600	Z6R2R-S	Z6R5R-S	Z6R6R-S	Z6R7R-S
	900	Z9R2R-S	Z9R5R-S	Z9R6R-S	Z9R7R-S
	1500	Z15R2R-S	Z15R5R-S	Z15R6R-S	Z15R7R-S
	2500	Z25R2R-S	Z25R5R-S	Z25R6R-S	Z25R7R-S
CF3	600	Z6R2S-S	Z6R5S-S	Z6R6S-S	Z6R7S-S
	900	Z9R2S-S	Z9R5S-S	Z9R6S-S	Z9R7S-S
	1500	Z15R2S-S	Z15R5S-S	Z15R6S-S	Z15R7S-S
	2500	Z25R2S-S	Z25R5S-S	Z25R6S-S	Z25R7S-S
CF3M	600	Z6R2L-S	Z6R5L-S	Z6R6L-S	Z6R7L-S
	900	Z9R2L-S	Z9R5L-S	Z9R6L-S	Z9R7L-S
	1500	Z15R2L-S	Z15R5L-S	Z15R6L-S	Z15R7L-S
	2500	Z25R2L-S	Z25R5L-S	Z25R6L-S	Z25R7L-S

说明：如连接端为凸面法兰或对接焊，连接单元“R”分别用“F”或“W”表示。

Notes: If connection ends are raised face flange or butt weld, connection unit is expressed with "F" or "W" respectively.



电动铸钢闸阀 Electric actuated cast steel gate valve



应用规范 Application specifications

- 1、设计、制造按API STD.600
 - 2、结构长度按ANSI B16.10
 - 3、连接端
法兰尺寸：ANSI 150、300Lb按ANSI B16.5
JIS 10K、20K按 JIS B2212~B2214
对接焊端按 ANSI B16.25
 - 4、阀门检查和试验按API STD.598
 - 5、结构：B.B; OS & Y
 - 6、主体材料：WCB、WC6、WC9、CF8、CF8M、CF3、CF3M、MONEL、CN7M
1. Design and manufacture according to API STD.600
 2. Face-to-face length according to ANSI B16.10
 3. Connection end
Flange size: ANSI 150, 300Lb in accordance with ANSI B16.5
JIS 10K, 20K, in accordance with JIS B2212~B2214
Butt weld according to ANSI B16.25
 4. Valve inspection and test according to API STD.598
 5. Structure: B.B; OS & Y
 6. Main body material: WCB, WC6, WC9, CF8, CF8M, CF3, CF3M, MONEL, CN7M

尺寸和重量 Dimensions & weight

mm

规格Specifications		ANSI 150Lb、10K								
inch	DN	L		电装转矩 (N.m) Electric torque	H≈	L1	L2	W	重量(Kg) Weight	
		RF	BW						RF	BW
2	50	178	178	50	620	284	185	200	46	42
2 1/2	65	190	190	50	684	284	185	200	75	71
3	80	203	203	100	745	284	185	200	99	94
4	100	229	229	100	870	284	185	200	132	122
5	150	267	267	200	1100	311	202	508	193	183
8	200	292	292	200	1250	311	202	508	236	222
10	250	330	330	300	1325	311	202	508	353	332
12	300	356	356	450	1470	560	400	305	423	395
14	350	381	381	600	1650	570	410	305	570	532
16	400	406	406	900	1830	570	410	305	635	600
18	450	432	432	1200	1986	660	420	305	772	720
20	500	457	457	1800	2200	660	420	305	941	895
24	600	508	508	3500	2620	690	440	457	1380	1480
26	650	559	864	3500	2880	690	440	457	2150	2070
28	700	610	914	5000	2950	709	690	610	2500	2400
30	750	610	914	5000	3110	709	690	610	2950	2810
32	800	660	965	5000	3340	709	690	610	3270	3070
34	850	711	1016	10000	3530	792	715	610	3440	3200
36	900	711	1016	10000	3860	792	715	610	4010	3830

说明：L1, L2, W尺寸为参考值。 Notes: L1, L2, W are reference values



尺寸和重量 Dimensions & weight

mm

规格 Specifications		ANSI 300Lb、20K									
inch	DN	L		电装转矩 Electric torque (N.m)	H≈	L1	L2	W	重量(Kg) Weight		
		RF	BW						RF	BW	RJ
2	50	216	232	100	620	284	185	200	50	44	55
2 1/2	65	241	257	150	730	311	202	508	72	46	78
3	80	283	298	200	790	311	202	508	87	76	98
4	100	305	321	200	870	311	202	508	108	93	123
6	150	403	419	450	1060	560	400	305	183	160	198
8	200	419	435	450	920	560	400	305	283	250	298
10	250	457	473	600	1030	570	410	305	430	400	445
12	300	502	518	1200	1150	660	420	305	721	645	755
14	350	762	778	1800	1300	660	420	305	1005	905	1085
16	400	838	854	2000	1420	690	440	457	1220	1080	1330
18	450	914	930	2000	1600	690	440	457	1450	1292	1600
20	500	991	1010	5000	1750	709	690	610	1600	1400	1820
24	600	1143	1165	8000	2280	792	715	610	2110	1860	2310
26	650	1245	1270	8000	2500	792	715	610	2610	2610	2860
28	700	1346	1372	12000	2700	813	960	760	2970	2470	3220
30	750	1397	1422	18000	2900	813	960	760	3570	2970	3870

说明: L1, L2, W尺寸为参考值。 Notes: L1, L2, W are reference values.

订货号 Ordering guide (WCB、WC6、WC9)

主体材料 Body material	压力级 Pressure grade	内件代号 Trim code				
		1	2	3	4	9
		Cr13/Cr13	STL/STL	Cr13/STL	Monel/Monel	304/304
WCB	150Lb	Z1F1C-D	Z1F2C-D	Z1F3C-D	Z1F4C-D	Z1F9C-D
	300Lb	Z3F1C-D	Z3F2C-D	Z3F3C-D	Z3F4C-D	Z3F9C-D
	10K	Z1KF1C-D	Z1KF2C-D	Z1KF3C-D	Z1KF4C-D	Z1KF9C-D
	20K	Z2KF1C-D	Z2KF2C-D	Z2KF3C-D	Z2KF4C-D	Z2KF9C-D
WC6	150Lb		Z1F2H-D			
	300Lb		Z3F2H-D			
	10K		Z1KF2H-D			
	20K		Z2KF2H-D			
WC9	150Lb		Z1F2V-D			
	300Lb		Z3F2V-D			
	10K		Z1KF2V-D			
	20K		Z2KF2V-D			

说明: 规格≥26", 法兰尺寸按API 605, 其连接单元仍用"F"表示, 而法兰采用MSS-SP-44, 其连接单元, 用"M"表示。

Note: When size≥26", flange is according to API 605, whose connection still uses "F". If flange adopts MSS-SP-44, use "M" to express connection unit.



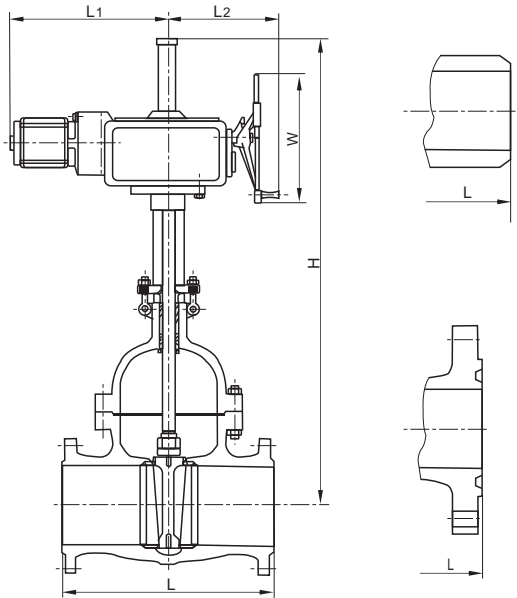
订货号 Ordering guide(CF8, CF8M, CF3, CF3M, Monel, CN7M)

主体材料 Body material	压力级 Pressure grade	内 件 代 号 Trim code					
		2	5	6	7	4	8
		STL/STL	18-8/STL	18-8/18-8	H.C/H.C	Monel/Monel	20号/20号
CF8	150Lb	Z1F2P-D	Z1F5P-D	Z1F6P-D	Z1F7P-D		
	300Lb	Z3F2P-D	Z3F5P-D	Z3F6P-D	Z3F7P-D		
	10K	Z1KF2P-D	Z1KF5P-D	Z1KF6P-D	Z1KF7P-D		
	20K	Z2KF2P-D	Z2KF5P-D	Z2KF6P-D	Z2KF7P-D		
CF8M	150Lb	Z1F2R-D	Z1F5R-D	Z1F6R-D	Z1F7R-D		
	300Lb	Z3F2R-D	Z3F5R-D	Z3F6R-D	Z3F7R-D		
	10K	Z1KF2R-D	Z1KF5R-D	Z1KF6R-D	Z1KF7R-D		
	20K	Z2KF2R-D	Z2KF5R-D	Z2KF6R-D	Z2KF7R-D		
CF3	150Lb	Z1F2S-D	Z1F5S-D	Z1F6S-D	Z1F7S-D		
	300Lb	Z3F2S-D	Z3F5S-D	Z3F6S-D	Z3F7S-D		
	10K	Z1KF2S-D	Z1KF5S-D	Z1KF6S-D	Z1KF7S-D		
	20K	Z2KF2S-D	Z2KF5S-D	Z2KF6S-D	Z2KF7S-D		
CF3M	150Lb	Z1F2L-D	Z1F5L-D	Z1F6L-D	Z1F7L-D		
	300Lb	Z3F2L-D	Z3F5L-D	Z3F6L-D	Z3F7L-D		
	10K	Z1KF2L-D	Z1KF5L-D	Z1KF6L-D	Z1KF7L-D		
	20K	Z2KF2L-D	Z2KF5L-D	Z2KF6L-D	Z2KF7L-D		
Monel	150Lb					Z1F4M-D	
	300Lb					Z3F4M-D	
	10K					Z1KF4M-D	
	20K					Z2KF4M-D	
CN7M	150Lb						Z1F8N-D
	300Lb						Z3F8N-D
	10K						Z1KF8N-D
	20K						Z2KF8N-D

- 说明: 1. 对磅级制阀门如采用对接焊连接, 连接单元“F”用“W”表示, 如采用金属环连接“F”用“R”表示。
 2. 对凸面法兰连接磅级制阀门如壁厚要求按ANSI B16.34或API STD.603的, 连接单元“F”用“E”表示, 对接焊端阀门如有此要求, 必须在合同中注明。
 3. 规格≥26"时, 法兰尺寸按API 605, 其连接单元仍用“F”表示; 而法兰采用MSS-SP-44, 其连接单元用“M”表示。
- Note: 1. As for valves in pound unit, use "W" to express connection unit "F" if butt weld connection is adopted, and use "R" to express "F" if metal ring connection is adopted.
 2. As for raised face flanged valves in pound unit, use "E" to express connection unit "F" if weld thickness is required all. To ANSI B16.34 or API STD.603 which need to be specified in contract.
 3. When size ≥26", flange is according to API 605, whose connection unit still "F". If flange adopts MSS-SP-44, use "M" express connection unit.



电动铸钢闸阀 Electric actuated cast steel gate valve



应用规范 Application specifications

- 1、设计、制造按API STD.600
 - 2、结构长度按ANSI B16.10
 - 3、连接端
法兰尺寸按ANSI B16.5
对接焊端按ANSI B16.25
 - 4、阀门检查和试验按API STD.598
 - 5、结构: B.B; OS&Y
 - 6、主体材料: WCB、WC6、WC9、CF8、CF8M、CF3、CF3M
1. Design and manufacture according to API STD.600
 2. Face-to-face length according to ANSI B16.10
 3. Connection end
Flange size according to ANSI B16.5
Butt weld according to ANSI B16.25
 4. Valve inspection and test according to API STD.598
 5. Structure: B.B; OS & Y
 6. Main body material: WCB, WC6, WC9, CF8, CF8M, CF3, CF3M

尺寸和重量 Dimensions & weight

mm

规格 Specifications		ANSI 600Lb								
inch	DN	L		电装转矩 (N.m) Electric torque	H≈	L1	L2	W	重量(Kg) Weight	
		RF.BW	RJ						RF.RJ	BW
2	50	292	295	200	550	311	202	508	112	105
2 1/2	65	330	333	200	600	311	202	508	128	115
3	80	356	359	300	660	560	400	305	200	165
4	100	432	435	300	780	560	400	305	240	200
6	150	559	562	600	990	570	410	305	400	345
8	200	660	664	900	1130	570	410	305	565	485
10	250	787	791	1200	1360	660	420	305	810	680
12	300	838	841	1800	1520	660	420	305	1150	1010
14	350	889	892	2500	1730	690	440	457	1490	1320
16	400	991	994	3500	1840	690	440	457	2030	1780
18	450	1092	1095	5000	2370	690	440	457	2790	2390
20	500	1194	1197	8000	2600	792	715	610	3665	3180
24	600	1397	1403	12000	3160	813	960	760	4130	3540



尺寸和重量 Dimensions & weight

mm

规格 Specification		ANSI 900Lb								
inch	DN	L		电装转矩 (N.m) Electric torque	H≈	L1	L2	W	重量(Kg) Weight	
		RF.BW	RJ						RF.RJ	BW
2	50	368	372	200	790	311	202	508	200	180
2 1/2	65	419	422	300	880	560	400	305	280	255
3	80	381	384	300	910	560	400	305	300	270
4	100	457	460	450	1020	560	400	305	325	285
6	150	610	613	900	1060	570	410	305	570	515
8	200	737	740	1200	1150	660	420	305	885	815
10	250	838	841	1800	1320	660	420	305	1300	1180
12	300	965	968	2500	1580	690	440	457	1870	1710
14	350	1029	1039	3500	1660	690	440	457	2370	2130
16	400	1130	1140	5000	1780	690	440	457	3010	2660

尺寸和重量 Dimensions & weight

mm

规格 Specification		ANSI 1500Lb								
inch	DN	L		电装转矩 (N.m) Electric torque	H≈	L1	L2	W	重量(Kg) Weight	
		RF.BW	RJ						RF.RJ	BW
2	50	368	372	200	790	311	202	508	200	180
2 1/2	65	419	422	450	890	560	400	305	280	235
3	80	470	473	450	960	560	400	305	335	280
4	100	546	549	450	1040	560	400	305	445	395
6	150	705	711	1800	1250	660	420	305	785	680
8	200	832	841	1800	1600	660	420	305	1140	925
10	250	991	1000	1800	1860	660	420	305	1790	1310
12	300	1130	1146	2500	2150	690	440	457	2810	2000
14	350	1257	1276	8000	2380	792	715	610	4190	3200
16	400	1384	1407	12000	2580	813	960	760	4970	4820

尺寸和重量 Dimensions & weight

mm

规格 Specification		ANSI 2500Lb								
inch	DN	L		电装转矩 (N.m) Electric torque	H≈	L1	L2	W	重量(Kg) Weight	
		RF.BW	RJ						RF.RJ	BW
2	50	451	454	200	940	311	202	508	270	250
2 1/2	65	508	514	450	1010	560	400	305	370	325
3	80	578	584	450	1120	560	400	305	420	365
4	100	673	683	1000	1215	570	410	305	630	535
6	150	914	927	1800	1485	660	420	305	1110	960
8	200	1022	1038	1800	1730	660	420	305	1640	1280

说明: L1, L2, W尺寸均为参考值。 Note: L1, L2, W are reference values.



订货号 Ordering guide (WCB, WC6, WC9)

主体材料 Body material	压力级(Lb) Pressure grade	内 件 代 号 Trim code				
		1	2	3	4	9
		Cr13/Cr13	STL/STL	Cr13/STL	Monel/Monel	304/304
WCB	600	Z6R1C-D	Z6R2C-D	Z6R3C-D	Z6R4C-D	Z6R9C-D
	900	Z9R1C-D	Z9R2C-D	Z9R3C-D	Z9R4C-D	Z9R9C-D
	1500	Z15R1C-D	Z15R2C-D	Z15R3C-D	Z15R4C-D	Z15R9C-D
	2500	Z25R1C-D	Z25R2C-D	Z25R3C-D	Z25R4C-D	Z25R9C-D
WC6	600		Z6R2H-D			
	900		Z9R2H-D			
	1500		Z15R2H-D			
	2500		Z25R2H-D			
WC9	600		Z6R2V-D			
	900		Z9R2V-D			
	1500		Z15R2V-D			
	2500		Z25R2V-D			

说明：如连接端为凸面法兰或对接焊，连接单元“R”分别用“F”或“W”表示。

Notes: If connection ends are raised face flange or butt weld, connection unit is expressed with "F" or "W" respectively.

订货号 Ordering guide (CF8, CF8M, CF3, CF3M)

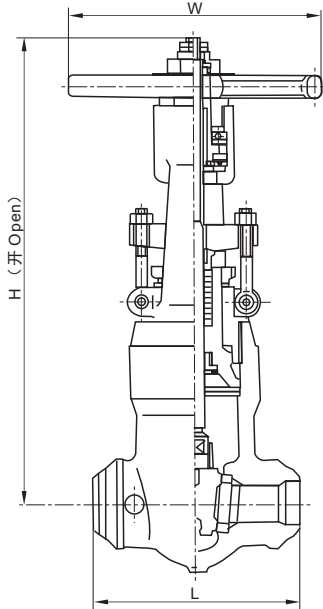
主体材料 Body material	压力级(Lb) Pressure grade	内 件 代 号 Trim code			
		2	5	6	7
		STL/STL	18-8/STL	18-8/18-8	H.C./H.C.
CF8	600	Z6R2P-D	Z6R5P-D	Z6R6P-D	Z6R7P-D
	900	Z9R2P-D	Z9R5P-D	Z9R6P-D	Z9R7P-D
	1500	Z15R2P-D	Z15R5P-D	Z15R6P-D	Z15R7P-D
	2500	Z25R2P-D	Z25R5P-D	Z25R6P-D	Z25R7P-D
CF8M	600	Z6R2R-D	Z6R5R-D	Z6R6R-D	Z6R7R-D
	900	Z9R2R-D	Z9R5R-D	Z9R6R-D	Z9R7R-D
	1500	Z15R2R-D	Z15R5R-D	Z15R6R-D	Z15R7R-D
	2500	Z25R2R-D	Z25R5R-D	Z25R6R-D	Z25R7R-D
CF3	600	Z6R2S-D	Z6R5S-D	Z6R6S-D	Z6R7S-D
	900	Z9R2S-D	Z9R5S-D	Z9R6S-D	Z9R7S-D
	1500	Z15R2S-D	Z15R5S-D	Z15R6S-D	Z15R7S-D
	2500	Z25R2S-D	Z25R5S-D	Z25R6S-D	Z25R7S-D
CF3M	600	Z6R2L-D	Z6R5L-D	Z6R6L-D	Z6R7L-D
	900	Z9R2L-D	Z9R5L-D	Z9R6L-D	Z9R7L-D
	1500	Z15R2L-D	Z15R5L-D	Z15R6L-D	Z15R7L-D
	2500	Z25R2L-D	Z25R5L-D	Z25R6L-D	Z25R7L-D

说明：如连接端为凸面法兰或对接焊，连接单元“R”分别用“F”或“W”表示。

Notes: If connection ends are raised face flange or butt weld, connection unit is expressed with "F" or "W" respectively.



压力自紧密封阀盖手轮操作铸钢闸阀 Pressure seat bonnet manual operation cast steel gate valve



应用规范 Application specifications

- 1、设计、制造按ANSI B 16.34
 - 2、结构长度按ANSI B16.10
 - 3、连接端按ANSI B16.5
 - 4、阀门检查和试验按API STD. 598
 - 5、结构：P.B; OS & Y
 - 6、主体材料：WCB、WC6、WC9
1. Design and manufacture according to ANSI B 16.34
 2. Face-to-face length according to ANSI B16.10
 3. Connection-end according to ANSI B16.5
 4. Valve inspection and test according to API STD. 598
 5. Structure: P.B; OS & Y
 6. Main body material: WCB, WC6, WC9

尺寸和重量 Dimensions & weight

mm

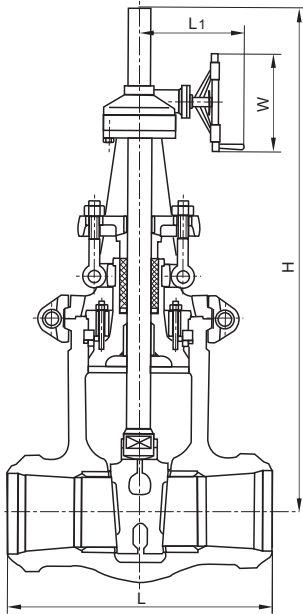
规格Specifications		900Lb				1500Lb				2500Lb			
inch	DN	L	H≈	W	重量(Kg) Weight	L	H≈	W	重量(Kg) Weight	L	H≈	W	重量(Kg) Weight
2	50	216	600	250	42	216	600	250	42	279	620	300	52
2 1/2	65	254	653	300	45	254	653	300	45	330	647	350	55
3	80	305	684	350	60	305	700	350	60	368	760	400	80
4	100	356	843	400	120	406	850	400	120	457	982	450	130
6	150	508	1092	560	280								

订货号 Ordering guide

主体材料 Body material	压力级(Lb) Pressure grade	内 件 代 号 Trim code		
		1	2	3
		Cr13/Cr13	STL/STL	Cr13/STL
WCB	900	ZP9W1C	ZP9W2C	ZP9W3C
	1500	ZP15W1C	ZP15W2C	ZP15W3C
	2500	ZP25W1C	ZP25W2C	ZP25W3C
WC6	900		ZP9W2H	
	1500		ZP15W2H	
	2500		ZP25W2H	
WC9	900		ZP9W2V	
	1500		ZP15W2V	
	2500		ZP25W2V	



压力自紧密封阀盖伞齿轮操作铸钢闸阀 Pressure seat bonnet bevel gear operated cast steel gate valve



应用规范 Applied standard

- 1、设计、制造按ANSI B 16.34
 - 2、结构长度按ANSI B16.10
 - 3、连接端按ANSI B16.5
 - 4、阀门检查和试验按API STD.598
 - 5、结构：P.B; OS & Y
 - 6、主体材料：WCB、WC6、WC9
1. Design and manufacture according to ANSI B 16.34
 2. Face-to-face length according to ANSI B16.10
 3. Connection end according to ANSI B16.5
 4. Valve inspection and test according to API STD.598
 5. Structure: P.B; OS&Y
 6. Main body material: WCB, WC6, WC9

尺寸和重量 Dimensions & weight

mm

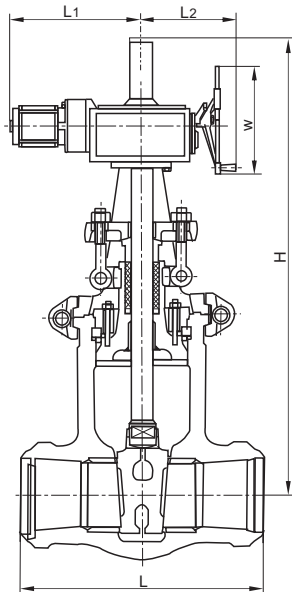
规格 Specifications		900Lb					1500Lb					2500Lb				
inch	DN	L	H	L1	W	重量 (Kg) Weight	L	H	L1	W	重量 (Kg) Weight	L	H	L1	W	重量 (Kg) Weight
6	150						559	1168	427	610	400	610	933	427	610	430
8	200	660	1372	427	460	465	711	1372	427	610	586	762	1345	507	610	828
10	250	787	1494	427	610	690	864	1655	507	610	974					
12	300	914	1829	507	610	942	991	1810	507	610	1464					
14	350	991	2144	507	610	1440	1067	2215	469	610	2140					
16	400	1092	2406	665	813	1990	1194	2330	469	610	2750					

订货号 Ordering guide

主体材料 Body material	压力级 Pressure grade	内件代号 Trim code		
		1	2	3
		Cr13/Cr13	STL/STL	Cr13/STL
WCB	900	ZP9W1C-S	ZP9W2C-S	ZP9W3C-S
	1500	ZP15W1C-S	ZP15W2C-S	ZP15W3C-S
	2500	ZP25W1C-S	ZP25W2C-S	ZP25W3C-S
WC6	900		ZP9W2H-S	
	1500		ZP15W2H-S	
	2500		ZP25W2H-S	
WC9	900		ZP9W2V-S	
	1500		ZP15W2V-S	
	2500		ZP25W2V-S	



压力自紧密封阀盖电动铸钢闸阀 Pressure seat bonnet electric actuator cast steel gate valve



应用规范 Application specifications

- 1、设计制造按 ANSI B 16.34
 - 2、结构长度按 ANSI B16.10
 - 3、连接端按 ANSI B16.25
 - 4、阀门检查和试验按 API STD.598
 - 5、结构: P.B; OS & Y
 - 6、主体材料: WCB、WC6、WC9
1. Design and manufacture according to ANSI B 16.34
 2. Face-to-face length according to ANSI B16.10
 3. Connection end according to ANSI B16.25
 4. Valve inspection and test according to API STD.598
 5. Structure: P.B; OS & Y
 6. Main body material: WCB, WC6, WC9

尺寸和重量 Dimensions & weight

mm

规格 Specification		900Lb							1500Lb						
inch	DN	L	电装转矩 (N.m) Electric torque	H≈	L1	L2	W	重量 (Kg) Weight	L	电装转矩 (N.m) Electric torque	H≈	L1	L2	W	重量 (Kg) Weight
2	50	216	200	800	311	202	508	112	216	200	800	311	202	508	112
2 1/2	65	254	300	890	560	400	305	155	254	450	890	560	400	305	155
3	80	305	300	975	560	400	305	170	305	450	975	560	400	305	170
4	100	356	450	1200	560	400	305	230	406	450	1200	560	400	305	230
6	150	508	900	1280	570	410	305	430	559	1800	1280	660	420	305	410
8	200	660	1200	1372	660	420	305	650	711	1800	1372	660	420	305	729
10	250	787	1800	1494	660	420	305	875	864	1800	1655	660	420	305	972
12	300	914	2500	1892	690	440	457	1152	991	2500	1810	690	440	457	1590
14	350	991	3500	2144	690	440	457	1560	1067	8000	2215	792	715	610	2150
16	400	1092	5000	2406	690	440	457	1720	1194	12000	2330	813	960	760	2820

尺寸和重量 Dimensions & weight

订货号 Ordering guide

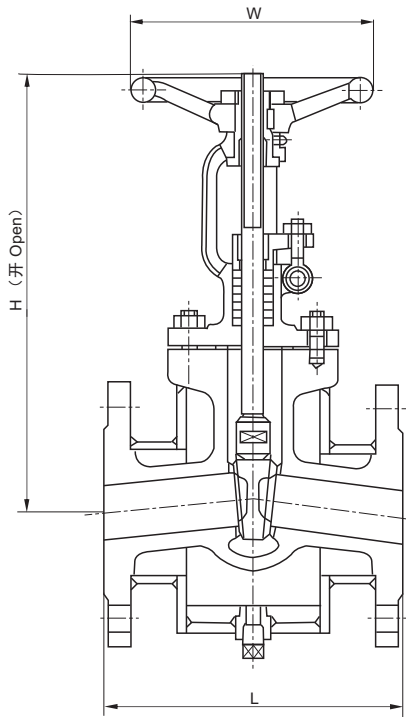
规格 Specification		2500Lb						
inch	DN	L	电装转矩 (N.m) Electric torque	H≈	L1	L2	W	重量 (Kg) Weight
2	50	279	200	840	311	202	508	122
2 1/2	65	330	450	860	560	400	305	165
3	80	368	450	950	560	400	305	190
4	100	457	1000	1180	570	410	305	280
6	150	610	1800	1200	660	420	305	615
8	200	762	1800	1470	660	420	305	1140

主体材料 Main body material	压力级 Pressure grade	内件代号 Trim code		
		1	2	3
		Cr13/Cr13	STL/STL	Cr13/STL
WCB	900	ZP9W1C-D	ZP9W2C-D	ZP9W3C-D
	1500	ZP15W1C-D	ZP15W2C-D	ZP15W3C-D
	2500	ZP25W1C-D	ZP25W2C-D	ZP25W3C-D
WC6	900		ZP9W2H-D	
	1500		ZP15W2H-D	
	2500		ZP25W2H-D	
WC9	900		ZP9W2V-D	
	1500		ZP15W2V-D	
	2500		ZP25W2V-D	

说明: L1, L2, W尺寸均为参考值。
Note: L1, L2, W are reference values.



铸钢夹套闸阀 Caststeel jacket gate valve



应用规范 Application specifications

- 1、设计制造按 API 600, JIS 2073
 - 2、结构长度 API 600, JIS B2002
 - 3、连接法兰
ANSI 150、300Lb 按ANSI B16.5
JIS 10K、20K 按 JIS B2212~B2214
 - 4、结构: 带夹套、B.B; OS & Y
 - 5、阀门检查和试验按 API STD.598
 - 6、主体材料: WCB、CF8、CF8M、CF3、CF3M、CN7M
1. Design manufacture according to API STD.600, JIS 2073
 2. Face-to-face length according to API 600, JIS B2002
 3. Connection end
ANSI 150、300Lb according to ANSI B16.5
JIS 10K、20K according to JIS B2212~B2214
 4. Structure: B.B; OS & Y
 5. Valve check and test according to API STD.598
 6. Main body material: WCB, CF8, CF8M, CF3, CF3M, CN7M

尺寸和重量 Dimensins & weight

mm

规格 Specifications		法兰规格 Flange Specifications	150Lb 10K				300Lb 20K			
inch	DN		L	H	W	重量 (Kg) Weight	L	H	W	重量 (Kg) Weight
1/2	15	40	165	222	125	9				
3/4	20	40	190	229	125	13	190	251	150	15
1	25	50	210	246	125	14	216	263	180	22
1 1/2	40	65	241	269	180	18	241	320	200	24
2	50	80	230	329	180	26	266	355	200	28
2 1/2	65	100	240	392	200	44				
3	80	100	250	433	250	57	335	440	250	61
4	100	150	270	500	250	68	360	500	300	73
6	150	200	330	707	300	150	470	630	350	168
8	200	250	400	828	355	224	490	790	400	240



订货号 Ording guide(WCB)

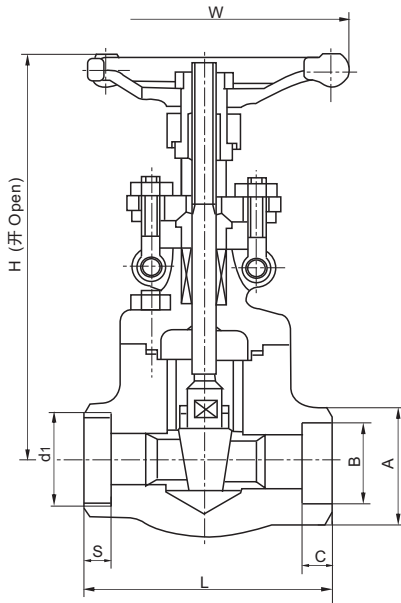
主体材料 Body material	压力级 Pressure grade	内件代号 Trim code				
		1	2	3	4	9
		Cr13/Cr13	STL/STL	Cr13/STL	Monel/Monel	304/304
WCB	150Lb	BZ1F1C	BZ1F2C	BZ1F3C	BZ1F4C	BZ1F9C
	300Lb	BZ3F1C	BZ3F2C	BZ3F3C	BZ3F4C	BZ3F9C
	10K	BZ1KF1C	BZ1KF2C	BZ1KF3C	BZ1KF4C	BZ1KF9C
	20K	BZ2KF1C	BZ2KF2C	BZ2KF3C	BZ2KF4C	BZ2KF9C

订货号 Ordering guide CF8, CF8M, CF3, CF3M, CN7M (20号合金 20# alloy)

主体材料 Body material	压力级 Pressure grade	内件代号 Trim code				
		2	5	6	7	8
		STL/STL	18-8/STL	18-8/18-8	H.C/H.C	20号/20号
CF8	150Lb	BZ1F2P	BZ1F5P	BZ1F6P	BZ1F7P	
	300Lb	BZ3F2P	BZ3F5P	BZ3F6P	BZ3F7P	
	10K	BZ1KF2P	BZ1KF5P	BZ1KF6P	BZ1KF7P	
	20K	BZ2KF2P	BZ2KF5P	BZ2KF6P	BZ2KF7P	
CF8M	150Lb	BZ1F2R	BZ1F5R	BZ1F6R	B1F7R	
	300Lb	BZ3F2R	BZ3F5R	BZ3F6R	BZ3F7R	
	10K	BZ1KF2R	BZ1KF5R	BZ1KF6R	BZ1KF7R	
	20K	BZG\2KF2R	BZ2KF5R	BZ2KF6R	BZ2KF7R	
CF3	150Lb	BZ1F2S	BZ1F5S	BZ1F6S	BZ1F7S	
	300Lb	BZ3F2S	BZ3F5S	BZ3F6S	BZG3F7S	
	10K	BZ1KF2S	BZ1KF5S	BZ1KF6S	BZ1KF7S	
	20K	BZ2KF2S	BZ2KF5S	BZ2KF6S	BZ2KF7S	
CF3M	150Lb	BZ1F2L	BZ1F5L	BZ1F6L	BZ1F7L	
	300Lb	BZ3F2L	BZ3F5L	BZ3F6L	BZ3F7L	
	10K	BZ1KF2L	BZ1KF5L	BZ1KF6L	BZ1KF7L	
	20K	BZ2KF2L	BZ2KF5L	BZ2KF6L	BZ2KF7L	
CN7M	150Lb					BZ1F8N
	300Lb					BZ3F8N
	10K					BZ1KF8N
	20K					BZ2KF8N



螺纹、承插焊连接锻钢闸阀 Threaded & socket welded connection forged steel gate valve



应用规范 Application specifications

- 1、设计制造按 JPI-7S-36
 - 2、连接端
承插口尺寸按 JIS B2306
螺纹端按 ANSI B2.1
 - 3、结构: B.B; OS & Y
 - 4、阀门检查和试验按 API STD.598
 - 5、主体材料: A105、F11、F22、304、316、304L、316L、Monel、20号合金
1. Design manufacture according to JPI-7S-36
 2. Connection end
Socket dimensions according to JIS B 2306
Screw part according to ANSI B2.1
 3. Structure: B.B; OS & Y
 4. Valve check and test according to API STD.598
 5. Main body material: A105, F11, F22, 304, 316, 304L, 316L, Monel, 20#alloy

尺寸和重量 Dimensions & weight

mm

规格 Specification		600Lb									
		H≈	W	L		B		C	S	d1(NPT)	重量 (Kg) Weight
inch	DN			通孔 Through way	缩孔 Diameter reducing	A105 F11.F22	18-8				
1/2	15	214	100	92	79	22.5	22.2	9.6	13.6	1/2	4.0
3/4	20	214	100	111	92	28.5	27.7	12.7	13.9	3/4	4.3
1	25	218	100	127	111	34.5	34.5	12.7	17.3	1	6.2
1 1/2	40	239	125	171	152	50.5	49.1	12.7	18.4	1 1/2	11.0

订货号 Ordering guide(WCB、WC6、WC9)

主体材料 Main body material	内件代号 Trim code									
	1	2	3	4	5	6	7	9	8	
	Cr13/Cr13	STL/STL	Cr13/STL	Monel/Monel	18-8/STL	18-8/18-8	H.C./H.C.	304/304	20号/20号	
A105	Z6S1C	Z6S2C	Z6S3C	Z6S4C	Z6S5C		Z6S7C	Z6S9C		
F11		Z6S2H								
F22		Z6S2V								
304		Z6S2P			Z6S5P	Z6S6P	Z6S7P			
316		Z6S2R			Z6S5R	Z6S6R	Z6S7R			
304L		Z6S2S			Z6S5S	Z6S6S	Z6S7S			
316L		Z6S2L			Z6S5L	Z6S6L	Z6S7L			
Monel				Z6S4M						
20号									Z6S8N	

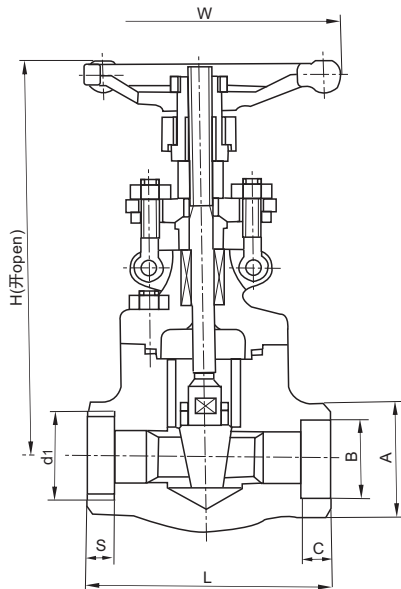
- 说明: 1、如采用螺纹连接, 连接单元“S”用“T”表示。
2、如进口端采用承插焊, 出口采用螺纹, 则连接单元“S”用“U”表示。
3、如要求缩孔阀门, 阀类单元“Z”用“ZD”表示, 如ZD6S22C。

- Notes: 1. If using threaded connection, use "T" to express connection unit "S".
2. If inlet end adopt socket weld and outlet end adopts threaded connection, use "U" to express connection unit "S".
3. If reduced bore valve is required, use "ZD" to express valve type "Z" for example, ZD6S22C.



螺纹、承插焊连接锻钢闸阀 Threaded & socket welded connection forged steel gate valve

应用规范 Application specifications



- 1、设计制造按 API STD.602
 - 2、连接端
承插口尺寸按 ANSI B16.11
螺纹端按 ANSI B2.1
 - 3、阀门检查和试验按 API STD.598
 - 4、结构: B.B; OS & Y
 - 5、主体材料: A105、F11、F22、304、316、304L、316L、Monel、20号合金
1. Design manufacture according to API STD.602
 2. Connection end
Socket dimensions according to ANSI B16.11
Screw part according to ANSI B2.1
 3. Valve check and test according to API STD.598
 4. Structure: B.B; OS & Y
 5. Main body material: A105, F11, F22, 304, 316, 304L, 316L, Monel, 20#alloy

尺寸和重量 (缩孔) Dimensions & Weight (shrinkage aperture)

mm

规格 Specification		150~800Lb								
		H≈	W	L	B		C	S	d1(NPT)	重量 Weight (Kg)
inch	DN				A105, F11, F22	18-8				
1/2	15	161	100	79	22.5	22.2	9.6	13.6	1/2	2.1
3/4	20	161	100	92	28.5	27.7	12.7	13.9	3/4	2.3
1	25	196	125	111	34.5	34.5	12.7	17.3	1	4.3
1 1/2	40	244	160	121	50.5	49.1	12.7	18.4	1 1/2	6.9
2	50	286	180	140	63	62	17.5	19.2	2	10.8

订货号 Ordering guide(WCB、WC6、WC9)

主体材料 Main body material	内件代号 Tirm code								
	1	2	3	4	5	6	7	9	8
	Cr13/Cr13	STL/STL	Cr13/STL	Monel/Monel	18-8/STL	18-8/18-8	H.C./H.C.	304/304	20号/20号
A105	Z8S1C	Z8S2C	Z8S3C	Z8S4C	Z8S5C		Z8S7C	Z8S9C	
F11		Z8S2H							
F22		Z8S2V							
304		Z8S2P			Z8S5P	Z8S6P	Z8S7P		
316		Z8S2R			Z8S5R	Z8S6R	Z8S7R		
304L		Z8S2S			Z8S5S	Z8S6S	Z8S7S		
316L		Z8S2L			Z8S5L	Z8S6L	Z8S7L		
Monel				Z8S4M					
20号									Z8S8N

说明: 1. 如采用螺纹连接, 连接单元“S”用“T”表示。

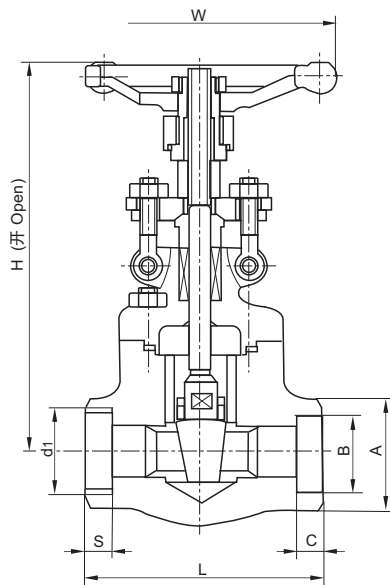
2. 如进口端采用承插焊, 出口端采用螺纹, 则连接单元“S”用“U”表示。

Notes: 1. If using threaded connection, use "T" to express connection unit "S".

2. If inlet end adopt socket weld and outlet end adopts threaded connection, use "U" to express connection unit "S".



螺纹、承插焊连接锻钢闸阀 Threaded & socket welded connection forged steel gate valve



应用规范 Application specifications

- 1、设计、制造按 BS5352
 - 2、连接端
承插口尺寸按 ANSI B16.11
螺纹端按 ANSI B2.1
 - 3、阀门检查和试验按 API STD.598
 - 4、结构: B.B; OS&Y
 - 5、主体材料: A105、F11、F22、304、316、304L、316L
1. Design manufacture according to BS5352
 2. Connection end
Socket dimension according to ANSI B16.11
Screw part according to ANSI B2.1
 3. Valve check and test according to API STD.598
 4. Structure: B.B; OS & Y
 5. Main body material: A105, F11, F22, 304, 316, 304L, 316L

尺寸和重量 (缩孔) Dimensions & weight (Shrinkage aperture)

mm

规格 Specification		900~1500Lb								
		H≈	W	L	B		C	S	d1(NPT)	重量 (Kg) Weight
inch	DN				A105, F11,F22	18-8				
1/2	15	322	180	140	22.5	22.2	9.6	13.6	1/2	13
3/4	20	322	180	140	28.5	27.7	12.7	13.9	3/4	13
1	25	322	180	140	34.5	34.5	12.7	17.3	1	15
1 1/2	40	414	200	178	50.5	49.1	12.7	18.4	1 1/2	24
2	50	508	300	216	63	62	17.5	19.2	2	44

订货号 Ordering guide (WCB、WC6、WC9)

主体材料 Main body material	内件代号 Trim code								
	1	2	3	4	5	6	7	9	
	Cr13/Cr13	STL/STL	Cr13/STL	Monel/Monel	18-8/STL	18-8/18-8	H.C./H.C.	304/304	
A105	Z15S1C	Z15S2C	Z15S3C	Z15S4C	Z15S5C		Z15S7C	Z15S9C	
F11		Z15S2H							
F22		Z15S2V							
304		Z15S2P			Z15S5P	Z15S6P	Z15S7P		
316		Z15S2R			Z15S5R	Z15S6R	Z15S7R		
304L		Z15S2S			Z15S5S	Z15S6S	Z15S7S		
316L		Z15S2L			Z15S5L	Z15S6L	Z15S7L		

说明: 1、如采用螺纹连接, 连接单元“S”用“T”表示。

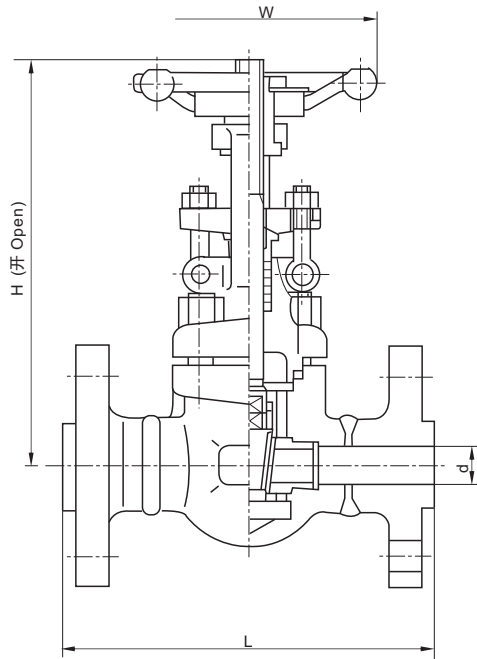
2、如进口端采用承插焊, 出口端采用螺纹, 则连接单元“S”用“U”表示。

Notes: 1. If using threaded connection, use "T" to express connection unit "S".

2. If inlet end adopt socket weld and outlet end adopts threaded connection, use "U" to express connection unit "S".



锻钢法兰闸阀 Forged steel flanged gate valve



应用规范 Application specifications

- 1、设计、制造按 API STD.602
 - 2、连接法兰
150-600Lb 按 ANSI B16.5
10K 按 JIS B2212
20K 按 JIS B2214
 - 3、结构: B.B; OS & Y
 - 4、阀门检查和试验按 API STD.598
 - 5、主体材料: A105、F11、F22、304、316、304L、316L、Monel、20号合金
1. Design manufacture according to API 16.34
 2. Connection end
150-600Lb according to ANSI B16.5
10K according to JIS B2212
20K according to JIS B2214
 3. Structure: B.B; OS & Y
 4. Valve check and test according to API STD.598
 5. Main body material: A105, F11, F22, 304, 316, 304L, 316L, Monel, 20#alloy

尺寸和重量 Dimension & weight

mm

规格 Specification		压力级 Pressure grade	d	H≈	W	L	重量 (Kg) Weight
inch	DN						
1/2	15	150Lb	9.5	161	100	108	4.6
		300Lb				140	4.9
		600Lb				165	5.9
		10K				108	4.9
		20K				140	5.0
3/2	20	150Lb	12.8	161	100	117	5.4
		300Lb				152	6.3
		600Lb				190.5	7.3
		10K				117	5.6
		20K				152	3.7
1	25	150Lb	19	196	125	127	7.8
		300Lb				165	8.8
		600Lb				216	9.9
		10K				127	8.5
		20K				165	8.7
1 1/2	40	150Lb	28.5	244	160	165	12
		300Lb				190.5	15
		600Lb				241	17
		10K				165	13
		20K				190.5	13.3
2	50	150Lb	36.5	286	180	178	20
		300Lb				216	23
		600Lb				292	28
		10K				178	20
		20K				216	21

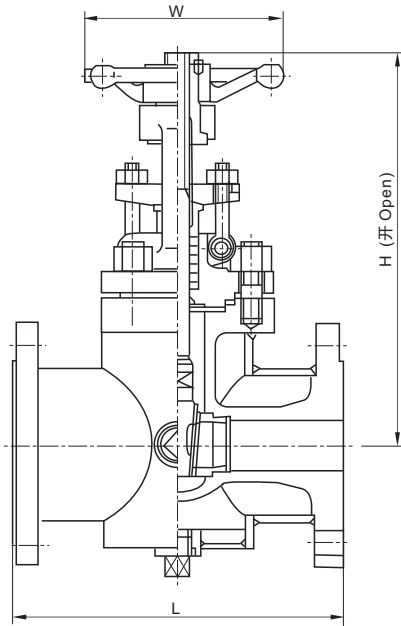


订货号 Ordering guide

主体材料 Body material	压力级 Pressure grade	内件代号 Trim code								
		1	2	3	4	5	6	7	9	8
		Cr13/Cr13	STL/STL	Cr13/STL	Monel/Monel	18-8/STL	18-8/18-8	H.C./H.C.	304/304	20号/20号
A105	150Lb	Z1F1C	Z1F2C	Z1F3C	Z1F4C			Z1F7C	Z1F9C	
	300Lb	Z3F1C	Z3F2C	Z3F3C	Z3F4C			Z3F7C	Z3F9C	
	600Lb	Z6F1C	Z6F2C	Z6F3C	Z6F4C			Z6F7C	Z6F9C	
	10K	Z1KF1C	Z1KF2C	Z1KF3C	Z1KF4C			Z1KF7C	Z1KF9C	
	20K	Z2KF1C	Z2KF2C	Z2KF3C	Z2KF4C			Z2KF7C	Z2KF9C	
F11	150Lb		Z1F2H							
	300Lb		Z3F2H							
	600Lb		Z6F2H							
	10K		Z1KF2H							
	20K		Z2KF2H							
F22	150Lb		Z1F2V							
	300Lb		Z3F2V							
	600Lb		Z6F2V							
	10K		Z1KF2V							
	20K		Z2KF2V							
304	150Lb		Z1F2P			Z1F5P	Z1F6P	Z1F7P		
	300Lb		Z3F2P			Z3F5P	Z3F6P	Z3F7P		
	600Lb		Z6F2P			Z6F5P	Z6F6P	Z6F7P		
	10K		Z1KF2P			Z1KF5P	Z1KF6P	Z1KF7P		
	20K		Z2KF2P			Z2KF5P	Z2KF6P	Z2KF7P		
316	150Lb		Z1F2R			Z1F5R	Z1F6R	Z1F7R		
	300Lb		Z3F2R			Z3F5R	Z3F6R	Z3F7R		
	600Lb		Z6F2R			Z6F5R	Z6F6R	Z6F7R		
	10K		Z1KF2R			Z1KF5R	Z1KF6R	Z1KF7R		
	20K		Z2KF2R			Z2KF5R	Z2KF6R	Z2KF7R		
304L	150Lb		Z1F2S			Z1F5S	Z1F6S	Z1F7S		
	300Lb		Z3F2S			Z3F5S	Z3F6S	Z3F7S		
	600Lb		Z6F2S			Z6F5S	Z6F6S	Z6F7S		
	10K		Z1KF2S			Z1KF5S	Z1KF6S	Z1KF7S		
	20K		Z2KF2S			Z2KF5S	Z2KF6S	Z2KF7S		
316L	150Lb		Z1F2L			Z1F5L	Z1F6L	Z1F7L		
	300Lb		Z3F2L			Z3F5L	Z3F6L	Z3F7L		
	600Lb		Z6F2L			Z6F5L	Z6F6L	Z6F7L		
	10K		Z1KF2L			Z1KF5L	Z1KF6L	Z1KF7L		
	20K		Z2KF2L			Z2KF5L	Z2KF6L	Z2KF7L		
Monel	150Lb				Z1F4M					
	300Lb				Z3F4M					
	600Lb				Z6F4M					
	10K				Z1KF4M					
	20K				Z2KF4M					
20号合金 20# Alloy	150Lb									Z1F8N
	300Lb									Z3F8N
	600Lb									Z6F8N
	10K									Z1KF8N
	20K									Z2KF8N



锻钢夹套闸阀 Forged steel jacket gate valve



应用规范 Application specifications

- 1、设计、制造按 API STD.602
 - 2、连接法兰
150-300Lb 按 ANSI B16.5
10K 按 JIS B2212
20K 按 JIS B2214
 - 3、夹套压力级按用户要求确定(PN0.6~2.5MPa)
 - 4、阀门检查和试验按 API STD.598
 - 5、结构: B.B; OS&Y-G
 - 6、主体材料: A105、F11、F22、304、316、304L、316L
1. Design manufacture according to API STD.602
 2. Connection end
150-300Lb according to ANSI B16.5
10K according to JIS B2212
20K according to JIS B2214
 3. Jacket pressure is decided according to user's requirements.
(PN0.6~2.5/MPa)
 4. Valve check and test according to API STD.598
 5. Structure: B.B; OS & Y-G
 6. Main body material: A105, F11, F22, 304, 316, 304L, 316L

尺寸和重量 Dimensions & weight(10K、20K)

mm

规格 Specification		10K				20K			
DN	法兰 Flange	L	H≈	W	重量 (Kg) Weight	L	H≈	W	重量 (Kg) Weight
15	40	165	214	100	10	165	214	100	11
20	40	190	218	100	11	190	218	100	12
25	50	216	239	125	17	216	239	125	19
40	65	241	290	160	38	241	290	160	41

尺寸和重量 Dimensions & weight(150、300Lb)

mm

规格 Specification		150Lb				300Lb			
DN	法兰 Flange	L	H≈	W	重量 (Kg) Weight	L	H≈	W	重量 (Kg) Weight
15	40	165	214	100	10	165	214	100	11
20	40	190	218	100	11	190	218	100	12
25	50	216	239	125	17	216	239	125	19
40	65	241	290	160	38	241	290	160	41

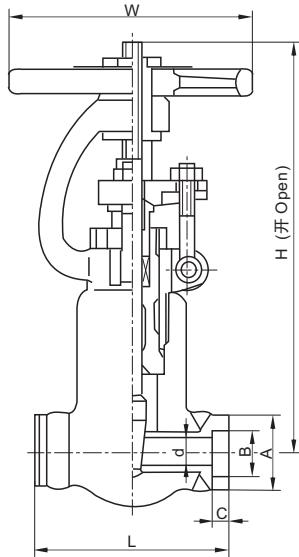


订货号 Ordering guide

主体材料 Main body material	压力级 Presstrre grade	内件代号 Trim code							
		1	2	3	4	5	6	7	9
		Cr13/Cr13	STL/STL	Cr13/STL	Monel/Monel	18-8/STL	18-8/18-8	H.C./H.C.	304/304
A105	10K	XD·BZ1KF1C	XD·BZ1KF2C	XD·BZ1KF3C	XD·BZ1KF4C			XD·BZ1KF7C	XD·BZ1KF9C
	20K	XD·BZ2KF1C	XD·BZ2KF2C	XD·BZ2KF3C	XD·BZ2KF4C			XD·BZ2KF7C	XD·BZ2KF9C
	150Lb	XD·BZ1F1C	XD·BZ1F2C	XD·BZ1F3C	XD·BZ1F4C			XD·BZ1F7C	XD·BZ1F9C
	300Lb	XD·BZ3F1C	XD·BZ3F2C	XD·BZ3F3C	XD·BZ3F4C			XD·BZ3F7C	XD·BZ3F9C
F11	10K		XD·BZ1KF2H						
	20K		XD·BZ2KF2H						
	150Lb		XD·BZ1F2H						
	300Lb		XD·BZ3F2H						
F22	10K		XD·BZ1KF2V						
	20K		XD·BZ2KF2V						
	150Lb		XD·BZ1F2V						
	300Lb		XD·BZ3F2V						
304	10K		XD·BZ1KF2P			XD·BZ1KF5P	XD·BZ1KF6P	XD·BZ1KF7P	
	20K		XD·BZ2KF2P			XD·BZ2KF5P	XD·BZ2KF6P	XD·BZ2KF7P	
	150Lb		XD·BZ1F2P			XD·BZ1F5P	XD·BZ1F6P	XD·BZ1F7P	
	300Lb		XD·BZ3F2P			XD·BZ3F5P	XD·BZ3F6P	XD·BZ3F7P	
316	10K		XD·BZ1KF2R			XD·BZ1KF5R	XD·BZ1KF6R	XD·BZ1KF7R	
	20K		XD·BZ2KF2R			XD·BZ2KF5R	XD·BZ2KF6R	XD·BZ2KF7R	
	150Lb		XD·BZ1F2R			XD·BZ1F5R	XD·BZ1F6R	XD·BZ1F7R	
	300Lb		XD·BZ3F2R			XD·BZ3F5R	XD·BZ3F6R	XD·BZ3F7R	
304L	10K		XD·BZ1KF2S			XD·BZ1KF5S	XD·BZ1KF6S	XD·BZ1KF7S	
	20K		XD·BZ2KF2S			XD·BZ2KF5S	XD·BZ2KF6S	XD·BZ2KF7S	
	150Lb		XD·BZ1F2S			XD·BZ1F5S	XD·BZ1F6S	XD·BZ1F7S	
	300Lb		XD·BZ3F2S			XD·BZ3F5S	XD·BZ3F6S	XD·BZ3F7S	
316L	10K		XD·BZ1KF2L			XD·BZ1KF5L	XD·BZ1KF6L	XD·BZ1KF7L	
	20K		XD·BZ2KF2L			XD·BZ2KF5L	XD·BZ2KF6L	XD·BZ2KF7L	
	150Lb		XD·BZ1F2L			XD·BZ1F5L	XD·BZ1F6L	XD·BZ1F7L	
	300Lb		XD·BZ3F2L			XD·BZ3F5L	XD·BZ3F6L	XD·BZ3F7L	



压力自紧密封阀盖锻钢闸阀 Pressure seat bonnet forged steel gate valve



应用规范 Application specifications

- 1、设计、制造按 ANSI B16.34
 - 2、连接端
承插口尺寸按ANSI B16.11
螺纹端按ANSI B2.1
 - 3、阀门检查和试验按 API STD.598
 - 4、结构: B.B; OS & Y
 - 5、主体材料: A105、F11、F22、304、316、304L、316L
1. Design manufacture according to ANSI 16.34
 2. Connection end
Socket dimension according to ANSI B16.11
Screw part according to ANSI B2.1
 3. Valve check and test according to API STD.598
 4. Structure: B.B; OS & Y
 5. Main body material: A105, F11, F22, 304, 316, 304L, 316L

尺寸和重量 Dimensions & weight

mm

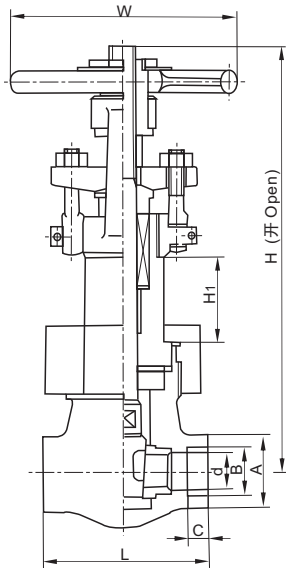
规格 Specification		压力级 (Lb) Pressure grade	d	H≈	W	A	B	C	L	重量 (Kg) Weight
inch	DN									
1/2	15	900-1500	12.3	322	180	38	22.2	9.6	140	11
		2500							186	12
3/4	20	900-1500	16.2	322	180	46	27.7	12.7	140	11
		2500							186	12
1	25	900-1500	21.2	322	180	56	34.5	12.7	140	11
		2500							186	12
1 1/2	40	900-1500	34.4	414	200	75	49.1	12.7	178	21
		2500							232	28
2	50	900-1500	43.1	508	300	87	61.1	12.7	216	40
		2500							279	53

订货号 Ordering guide

主体材料 Body material	压力级 (Lb) Pressure grade	内件代号 Trim code							
		1	2	3	4	5	6	7	9
		Cr13/Cr13	STL/STL	Cr13/STL	Monel/Monel	18-8/STL	18-8/18-8	H.C./H.C.	304/304
A105	900-1500	ZP15S1C	ZP15S2C	ZP15S3C	ZP15S4C			ZP15S7C	ZP15S9C
	2500	ZP25S1C	ZP25S2C	ZP25S3C	ZP25S4C			ZP25S7C	ZP25S9C
F11	900-1500		ZP15S2H						
	2500		ZP25S2H						
F22	900-1500		ZP15S2V						
	2500		ZP25S2V						
304	900-1500		ZP15S2P			ZP15S5P	ZP15S6P	ZP15S7P	
	2500		ZP25S2P			ZP25S5P	ZP25S6P	ZP25S7P	
316	900-1500		ZP15S2R			ZP15S5R	ZP15S6R	ZP15S7R	
	2500		ZP25S2R			ZP25S5R	ZP25S6R	ZP25S7R	
304L	900-1500		ZP15S2S			ZP15S5S	ZP15S6S	ZP15S7S	
	2500		ZP25S2S			ZP25S5S	ZP25S6S	ZP25S7S	
316L	900-1500		ZP15S2L			ZP15S5L	ZP15S6L	ZP15S7L	
	2500		ZP25S2L			ZP25S5L	ZP25S6L	ZP25S7L	



承插焊连接长颈锻钢闸阀 Socket welded connection long neck forged steel gate valve



应用规范 Application specifications

- 1、设计、制造按 JPI-7S-36
 - 2、承插口尺寸按 JIS B2306
 - 3、阀门检查和试验按 API STD.598
 - 4、结构：U.B； OS & Y
 - 5、主体材料：304、316、304L、316L
1. Design manufacture according to JPI-7S-36
 2. Socket dimension according to JIS B2306
 3. Valve check and test according to API STD.598
 4. Structure: U.B; OS & Y
 5. Main body material: 304, 316, 304L, 316L

尺寸和重量 Dimensions & weight

mm

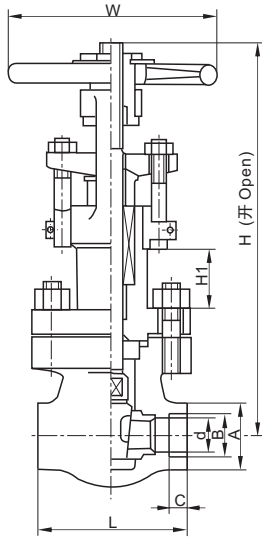
规格 Specification		JPI 600Lb							
inch	DN	d	L	W	A	B	C	H1	重量 (Kg) Weight
1/2	15	15	92	125	33	22.2	9.6	140	10
3/4	20	20	111	150	39	27.7	12.7	140	10
1	25	25	127	180	48	34.5	12.7	150	12
1 1/2	40	38	171	200	64	49.1	12.7	160	21

订货号 Ordering guide

主体材料 Body material	内件代号 Trim code			
	2	5	6	7
	STL/STL	18-8/STL	18-8/18-8	H.C./H.C.
304	LZ6S2P	LZ6S5P	LZ6S6P	LZ6S7P
316	LZ6S2R	LZ6S5R	LZ6S6R	LZ6S7R
304L	LZ6S2S	LZ6S5S	LZ6S6S	LZ6S7S
316L	LZ6S2L	LZ6S5L	LZ6S6L	LZ6S7L



承插焊连接长颈锻钢闸阀 Socket welded connection long neck forged steel gate valve



应用规范 Application specifications

- 1、设计、制造按 JPI-7S-36
 - 2、承插口尺寸按 JIS B2306
 - 3、结构: B.B; OS & Y
 - 4、阀门检查和试验按 API STD.598
 - 5、主体材料: 304、316、304L、316L
1. Design manufacture according to JPI-7S-36
 2. Socket dimension according to JIS B2306
 3. Structure: B.B; OS & Y
 4. Valve check and test according to API STD.598
 5. Main body material: 304, 316, 304L, 316L

尺寸和重量 Dimensions & weight

mm

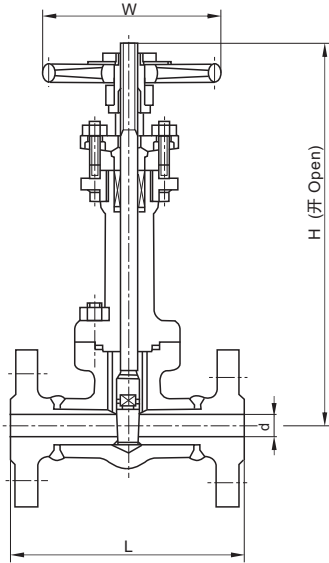
规格 Specification		JPI 600Lb							
inch	DN	d	L	W	A	B	C	H1	重量 (Kg) Weight
1/2	15	15	92	100	33	22.2	9.6	90	12
3/4	20	20	111	125	39	27.7	12.7	90	12
1	25	25	127	150	48	34.5	12.7	100	14
1 1/2	40	38	171	180	64	49.1	12.7	110	25

订货号 Ordering guide

主体材料 Body material	内件代号 Trim Code			
	2	5	6	7
	STL/STL	18-8/STL	18-8/18-8	H.C./H.C.
304	LZ6S2P	LZ6S5P	LZ6S6P	LZ6S7P
316	LZ6S2R	LZ6S5R	LZ6S6R	LZ6S7R
304L	LZ6S2S	LZ6S5S	LZ6S6S	LZ6S7S
316L	LZ6S2L	LZ6S5L	LZ6S6L	LZ6S7L



法兰连接长颈锻钢闸阀 Flange connection long neck forged steel gate valve



应用规范 Application specifications

- 1、设计、制造按 API STD.602
 - 2、法兰尺寸按 JIS B2214
 - 3、阀门检查和试验按 API STD.598
 - 4、结构: B.B; OS & Y
 - 5、主体材料: 304、316、304L、316L
1. Design manufacture according to API STD.602
 2. Flange dimension according to JIS B2214
 3. Valve check and test according to API STD.598
 4. Structure: B.B; OS & Y
 5. Main body material: 304, 316, 304L, 316L

尺寸和重量 Dimensions & weight

mm

规格 Specification		JIS 20K					重量 (Kg) Weight
inch	DN	d	L	H≈	W		
1/2	15	15	140	260	80	6	
3/4	20	20	152	308	100	9.3	
1	25	25	165	330	130	13.8	
1 1/2	40	38	190.5	377	150	30	

订货号 Ordering guide

主体材料 Body material	内件代号 Trim Code							
	1	2	3	4	5	6	7	9
	Cr13/Cr13	STL/STL	Cr13/STL	18-8	18-8/STL	18-8/18-8	H.C./H.C.	304/304
A105	LZ2KF1C	LZ2KF2C	LZ2KF3C	LZ2KF4C				LZ2KF9C
304		LZ2KF2P			LZ2KF5P	LZ2KF6P	LZ2KF7P	
316		LZ2KF2R			LZ2KF5R	LZ2KF6R	LZ2KF7R	
304L		LZ2KF2S			LZ2KF5S	LZ2KF6S	LZ2KF7S	
316L		LZ2KF2L			LZ2KF5L	LZ2KF6L	LZ2KF7L	